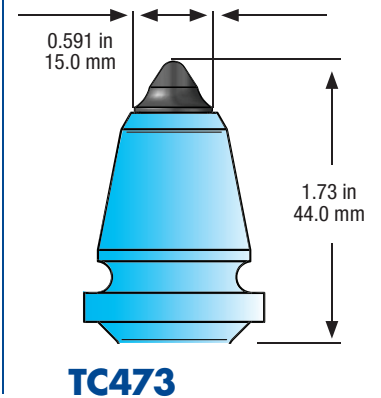
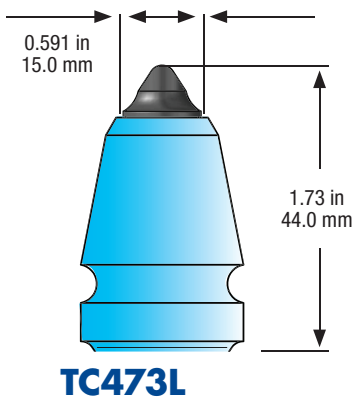
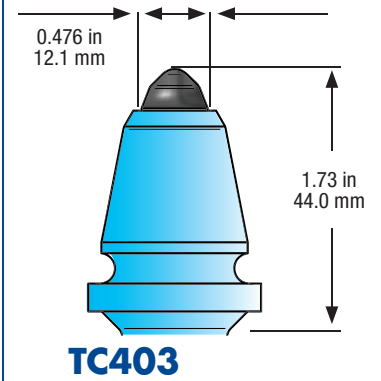
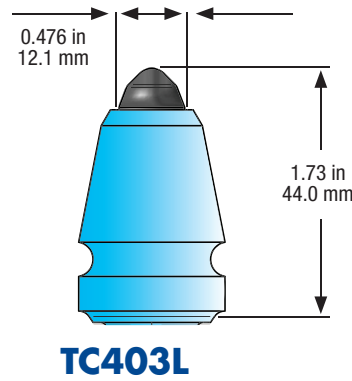


Drilling

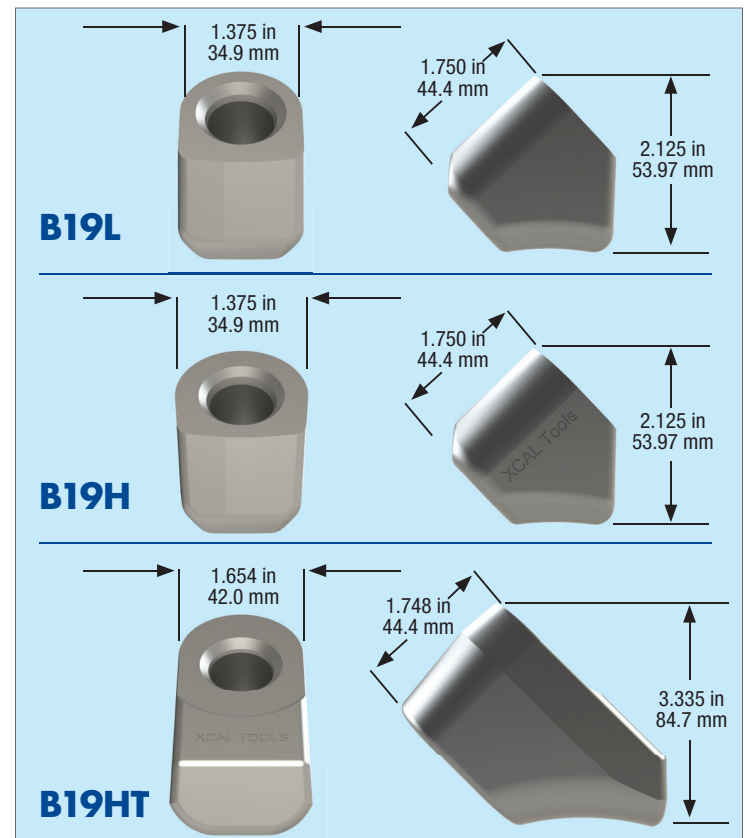


Features:

- Standard body design
- Used for Core Barrels and Augers
- Puller groove for easy tool removal
- Offered with a Wedding Band or Sleeve retainer

Tool Part Number	Shank (in, mm)	Tip Diameter (in, mm)	Gauge (in, mm)	Pieces per Box	Pieces per Pallet
TC403L	0.74 in 19 mm	0.476 in 12.1 mm	1.73 in 44.0 mm	50	3000
TC403	0.74 in 19 mm	0.476 in 12.1 mm	1.73 in 44.0 mm	50	3000
TC473L	0.74 in 19 mm	0.591 in 15.0 mm	1.73 in 44.0 mm	50	3000
TC473	0.74 in 19 mm	0.591 in 15.0 mm	1.73 in 44.0 mm	50	3000

Block Part Number	Bore Hole Diameter (in, mm)	Width (in, mm)	Angle (degrees)	Internal Groove	Pieces per Box	Pieces per Pallet
B19L	1.020 in 25.9 mm	1.375 in 34.9 mm	45°	Yes	35	2100
B19H	1.050 in 26.67 mm	1.375 in 34.9 mm	45°	Yes	35	2100
B19HT	1.050 in 26.67 mm	1.654 in 42.0 mm	45°	Yes	20	900



Proudly made in the U.S.A.

