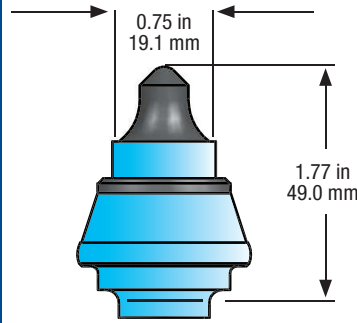
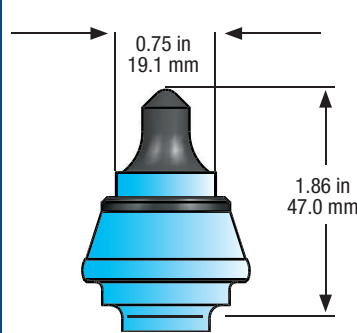


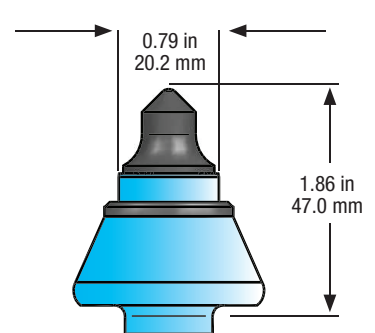
# Road Milling/Reclaiming



**PX6**



**PX6L**



**PX87**

## Features:

- Strategically placed carbide ring prevents body wear, maximizing carbide tip use
- Carbide ring also adds greater block protection if tip is lost
- Puller groove feature for easy enhanced rotation
- Full sleeve retainer and washer maintain maximum block bore and seat protection

Part Number	Shank (in, mm)	Tip Diameter (in, mm)	Base Diameter (in, mm)	Gauge (in, mm)	Pieces per Box	Pieces per Pallet
PX6	0.74 in 19 mm	0.41 in 10.5 mm	0.75 in 19.1 mm	1.77 in 49.0 mm	50	3000
PX6L	0.74 in 19 mm	0.41 in 10.5 mm	0.75 in 19.1 mm	1.86 in 47.0 mm	50	3000
PX87	0.74 in 19 mm	0.47 in 12.0 mm	0.79 in 20.2 mm	1.86 in 47.0 mm	50	3000

## ALL ROAD MILLING TOOLS ARE NOT CREATED EQUAL

XTEND-A-BIT's enhanced carbide tip bit is suited for cutting extremely hard or thick asphalt, or for use in applications where you may inadvertently strike rock in the road base.

Customers who have previously experienced hourglass wear, who have replaced their bits with XTEND-A-BITs, report two to three times their bit life!

**MAXIMIZE  
YOUR TOOL  
USE!**



Proudly made in the U.S.A.

