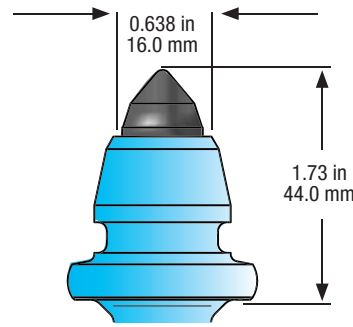
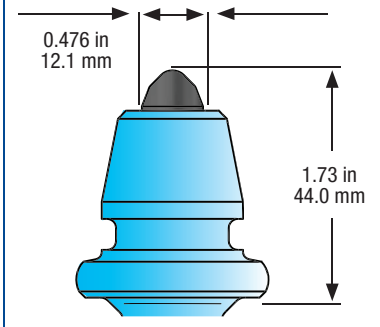


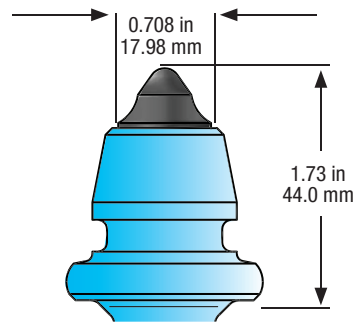
Drilling



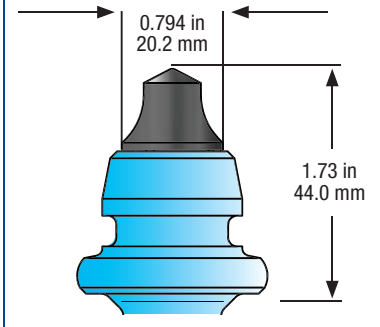
TJ401L



TJ403L



TJ474L



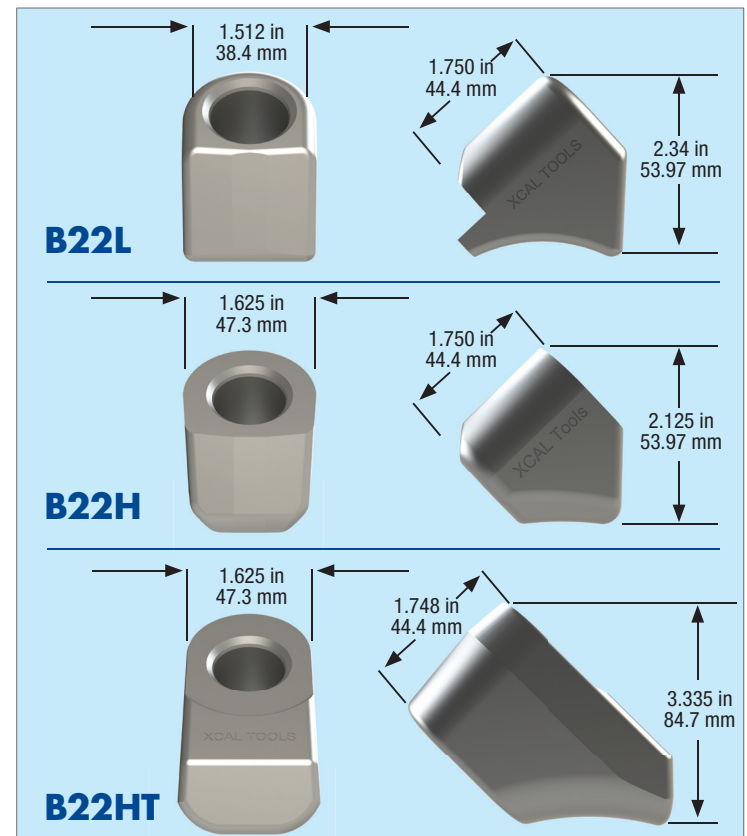
TJ486L

Features:

- Offered in a wide range of tips for impact and highly abrasive material
- Puller Groove to aid in extraction
- Interchangeable series offers flexibly

Tool Part Number	Shank (in, mm)	Tip Diameter (in, mm)	Gauge (in, mm)	Pieces per Box	Pieces per Pallet
TJ401L	0.86 in 22 mm	0.638 in 16.0 mm	1.73 in 44.0 mm	50	3000
TJ403L	0.86 in 22 mm	0.476 in 12.1 mm	1.73 in 44.0 mm	50	3000
TJ474L	0.86 in 22 mm	0.708 in 17.98 mm	1.73 in 44.0 mm	50	3000
TJ486L	0.86 in 22 mm	0.794 in 20.2 mm	1.73 in 44.0 mm	50	3000

Block Part Number	Bore Hole Diameter (in, mm)	Width (in, mm)	Angle (degrees)	Internal Groove	Pieces per Box	Pieces per Pallet
B22L	0.885 in 22.48 mm	1.512 in 38.4 mm	45°	Yes	35	2100
B22H	0.885 in 22.48 mm	1.625 in 47.3 mm	45°	Yes	35	2100
B22HT	0.885 in 22.48 mm	1.625 in 47.3 mm	45°	Yes	35	2100



Proudly made in the U.S.A.

