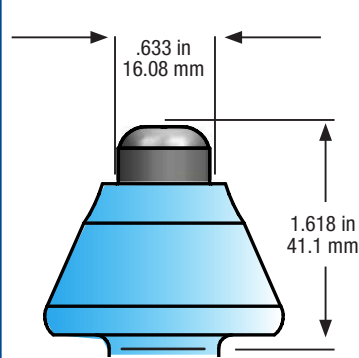
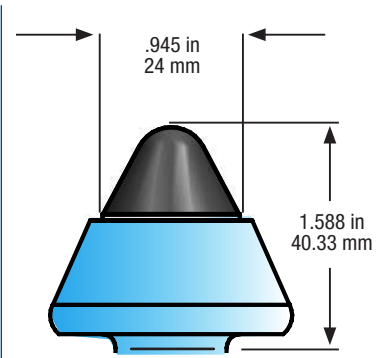


Reclaiming



PR28



PR70

Features:

- Heavy Duty body and extra large carbide tips, provide maximum strength and tool life
- Unique carbide design provides better material gradation
- Full sleeve retainer and washer maintain maximum block bore and seat protection

Part Number	Shank (in, mm)	Tip Diameter (in, mm)	Base Diameter (in, mm)	Gauge (in, mm)	Pieces per Box	Pieces per Pallet
PR28	0.74 in 19 mm	0.633 in 16.08 mm	0.633 in 16.08 mm	1.618 in 41.1 mm	50	3000
PR70	0.74 in 19 mm	0.25 in 6.35 mm	0.945 in 24 mm	1.588 in 40.33 mm	50	3000



Proudly made in the U.S.A.

