

Drilling

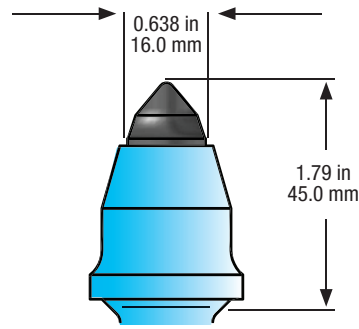


Features:

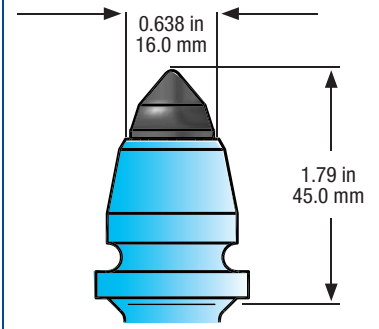
- Standard body design
- Used for Core Barrels and Augers
- Puller groove for easy tool removal
- Interchangeable series offers flexibly

Tool Part Number	Shank (in, mm)	Tip Diameter (in, mm)	Gauge (in, mm)	Pieces per Box	Pieces per Pallet
TB01C	0.72 in 18 mm	0.638 in 16.0 mm	1.79 in 45.0 mm	50	3000
TB01	0.72 in 18 mm	0.638 in 16.0 mm	1.79 in 45.0 mm	50	3000
TB03	0.72 in 18 mm	0.476 in 12.1 mm	1.79 in 45.0 mm	50	3000
TB73	0.72 in 18 mm	0.591 in 15.0 mm	1.79 in 45.0 mm	50	3000

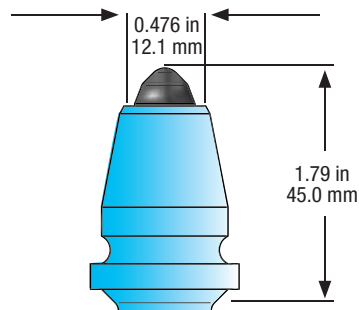
Block Part Number	Bore Hole Diameter (in, mm)	Width (in, mm)	Angle (degrees)	Internal Groove	Pieces per Box	Pieces per Pallet
B18L	1.020 in 25.9 mm	1.375 in 34.9 mm	45°	Yes	35	2100
B18H	1.050 in 26.67 mm	1.375 in 34.9 mm	45°	Yes	35	2100
B18HT	1.050 in 26.67 mm	1.654 in 42.0 mm	45°	Yes	20	900



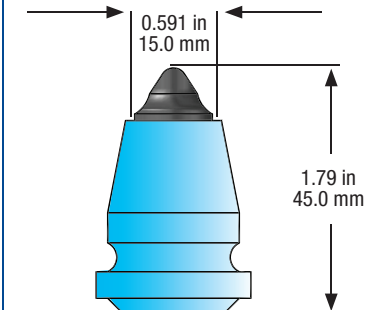
TB01C



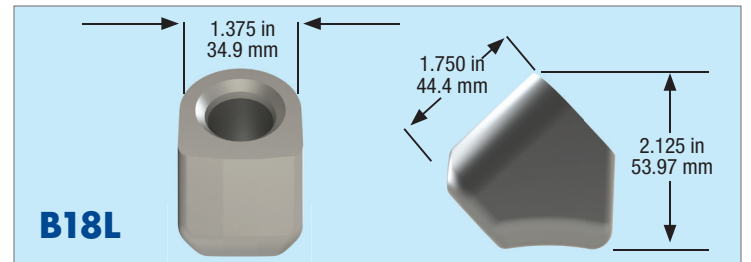
TB01



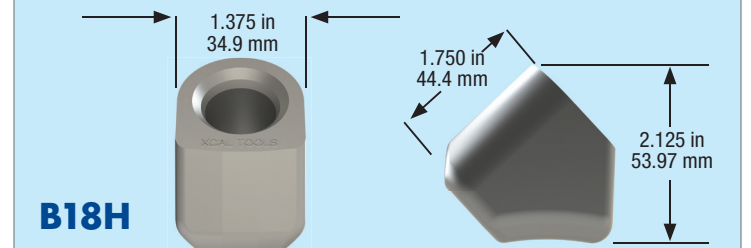
TB03



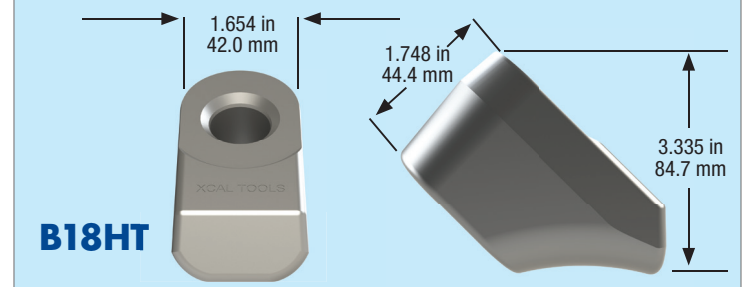
TB73



B18L



B18H



B18HT



Proudly made in the U.S.A.

