

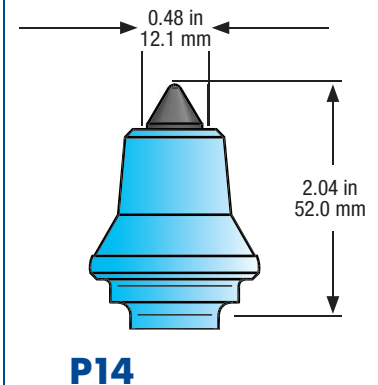
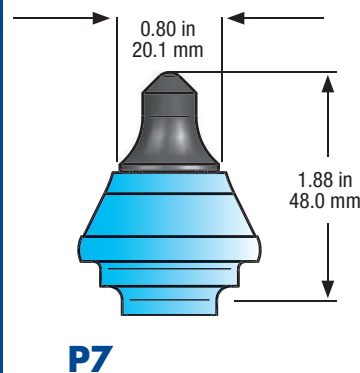
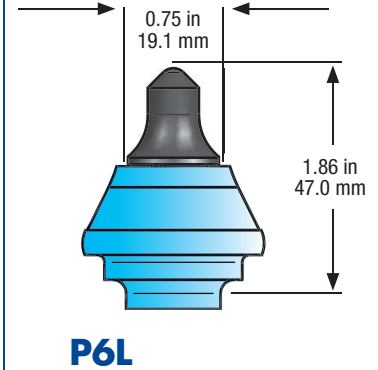
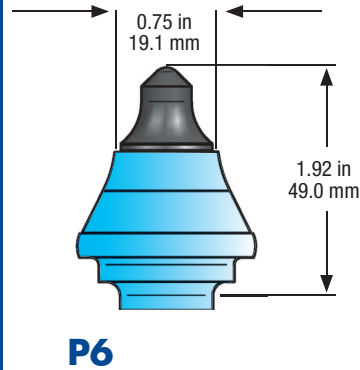
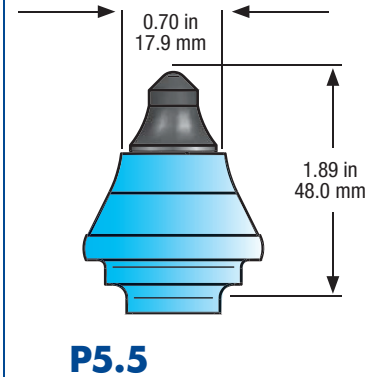
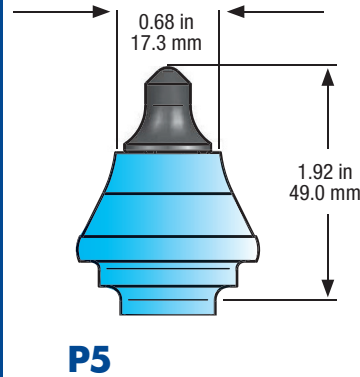
Road Milling/Reclaiming



Features:

- Unique tool design provides superior rotation
- Full sleeve retainer and washer maintain maximum block bore and seat protection
- Puller groove for easy extraction

Part Number	Shank (in, mm)	Tip Diameter (in, mm)	Base Diameter (in, mm)	Gauge (in, mm)	Pieces per Box	Pieces per Pallet
P5	0.74 in 19 mm	0.36 in 9.2 mm	0.68 in 17.3 mm	1.92 in 49.0 mm	50	3000
P5.5	0.74 in 19 mm	0.40 in 10.1 mm	0.70 in 17.9 mm	1.89 in 48.0 mm	50	3000
P6	0.74 in 19 mm	0.41 in 10.5 mm	0.75 in 19.1 mm	1.92 in 49.0 mm	50	3000
P6L	0.74 in 19 mm	0.41 in 10.5 mm	0.75 in 19.1 mm	1.86 in 47.0 mm	50	3000
P7	0.74 in 19 mm	0.43 in 11.0 mm	0.80 in 20.1 mm	1.88 in 48.0 mm	50	3000
P14	0.74 in 19 mm	0.47 in 12.1 mm	0.48 in 12.1 mm	2.04 in 52.0 mm	50	3000



For concrete grinding applications.



Proudly made in the U.S.A.

