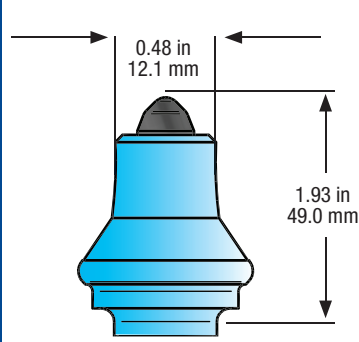
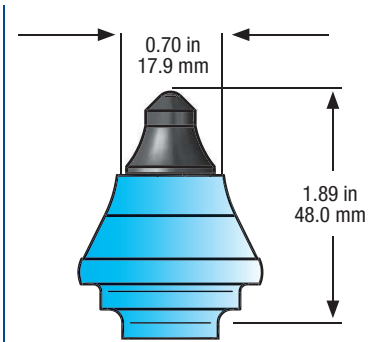


# Road Milling/Reclaiming



## P203

For concrete grinding applications.

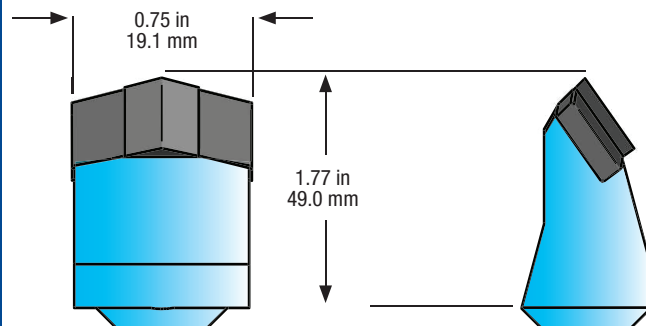


## P25.5

### Features:

- Unique tool design provides superior rotation
- Puller groove for easy extraction
- Full sleeve retainer and washer maintain maximum block bore and seat protection

Part Number	Shank (in, mm)	Tip Diameter (in, mm)	Base Diameter (in, mm)	Gauge (in, mm)	Pieces per Box	Pieces per Pallet
P203	0.87 in 22 mm	0.47 in 12.1 mm	0.48 in 12.1 mm	1.93 in 49.0 mm	50	3000
P25.5	0.87 in 22 mm	0.40 in 10.1 mm	0.70 in 17.9 mm	1.89 in 48.0 mm	50	3000
P2X	0.87 in 22 mm	NA	NA	2.00 in 50 mm	40	2400



## P2X

Non-rotating tool with flat carbide edge for soft to medium hard conditions. Used for soil stabilization.



Proudly made in the U.S.A.

