

Drilling

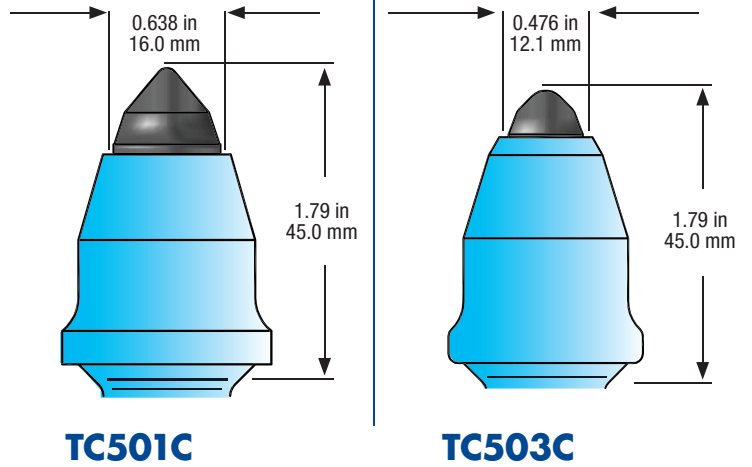


Features:

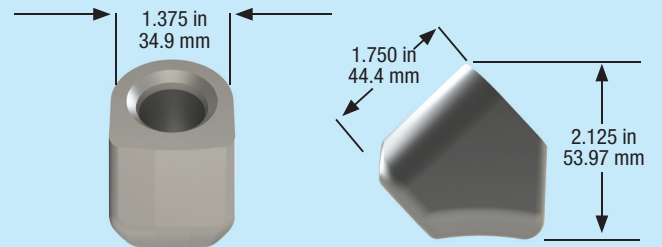
- Standard body design
- Used for small Chain Trenchers and Rock Wheels
- Offered with a C-Groove

Tool Part Number	Shank (in, mm)	Tip Diameter (in, mm)	Gauge (in, mm)	Pieces per Box	Pieces per Pallet
TC501C	0.76 in 19 mm	0.638 in 16.0 mm	1.79 in 45.0 mm	50	3000
TC503C	0.76 in 19 mm	0.476 in 12.1 mm	1.79 in 45.0 mm	50	3000

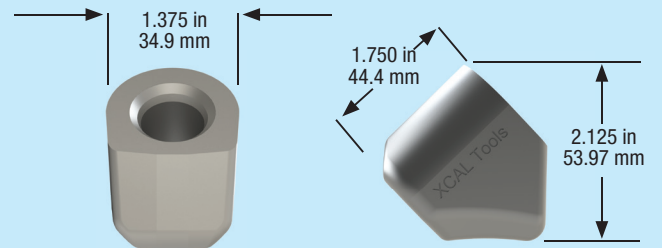
Block Part Number	Bore Hole Diameter (in, mm)	Width (in, mm)	Angle (degrees)	Internal Groove	Pieces per Box	Pieces per Pallet
B19L	1.020 in 25.9 mm	1.375 in 34.9 mm	45°	Yes	35	2100
B19H	1.050 in 26.67 mm	1.375 in 34.9 mm	45°	Yes	35	2100
B19HT	1.050 in 26.67 mm	1.654 in 42.0 mm	45°	Yes	20	900



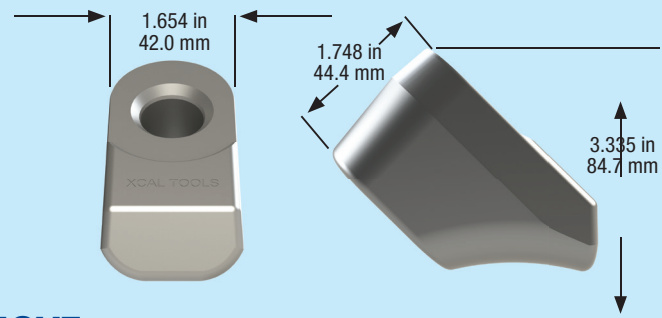
B19L



B19H



B19HT



Proudly made in the U.S.A.

