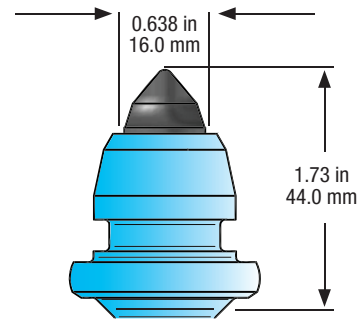
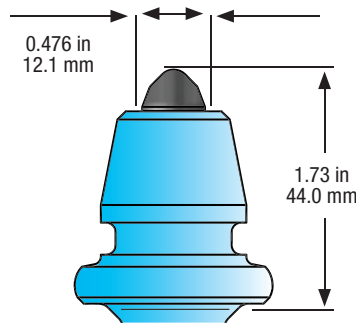


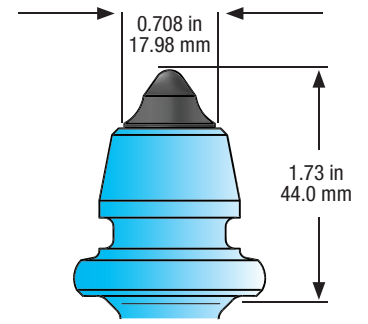
# Drilling



**TJ401**



**TJ403**



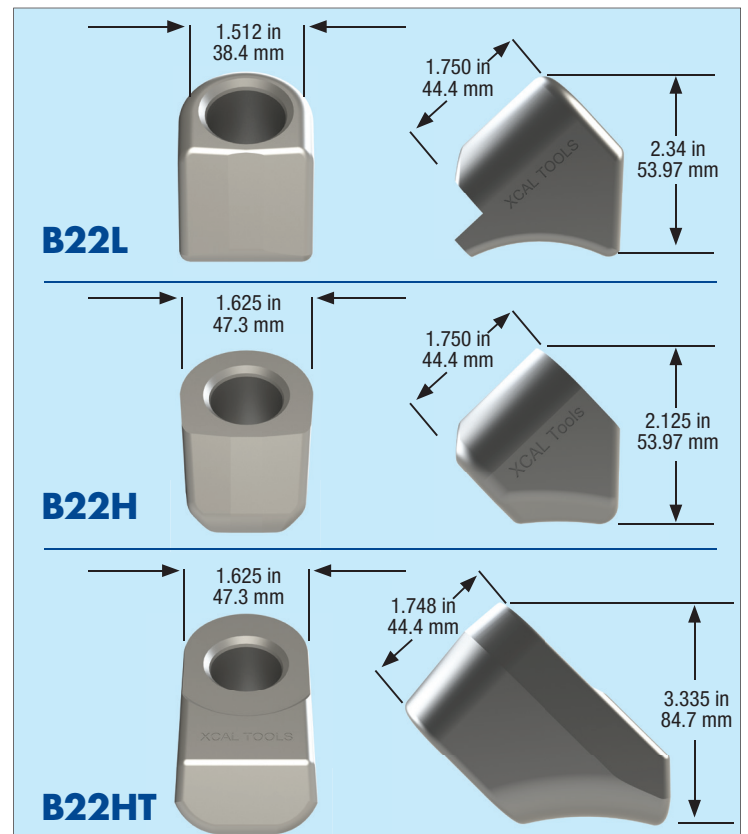
**TJ474**

## Features:

- Bumped sleeve for improved retention
- Puller Groove to aid in extraction
- Interchangeable series offers flexibly

Tool Part Number	Shank (in, mm)	Tip Diameter (in, mm)	Gauge (in, mm)	Pieces per Box	Pieces per Pallet
TJ401	0.86 in 22 mm	0.638 in 16.0 mm	1.73 in 44.0 mm	50	3000
TJ403	0.86 in 22 mm	0.476 in 12.1 mm	1.73 in 44.0 mm	50	3000
TJ474	0.86 in 22 mm	0.708 in 17.98 mm	1.73 in 44.0 mm	50	3000

Block Part Number	Bore Hole Diameter (in, mm)	Width (in, mm)	Angle (degrees)	Internal Groove	Pieces per Box	Pieces per Pallet
B22L	0.885 in 22.48 mm	1.512 in 38.4 mm	45°	Yes	35	2100
B22H	0.885 in 22.48 mm	1.625 in 47.3 mm	45°	Yes	35	2100
B22HT	0.885 in 22.48 mm	1.625 in 47.3 mm	45°	Yes	35	2100



Proudly made in the U.S.A.

