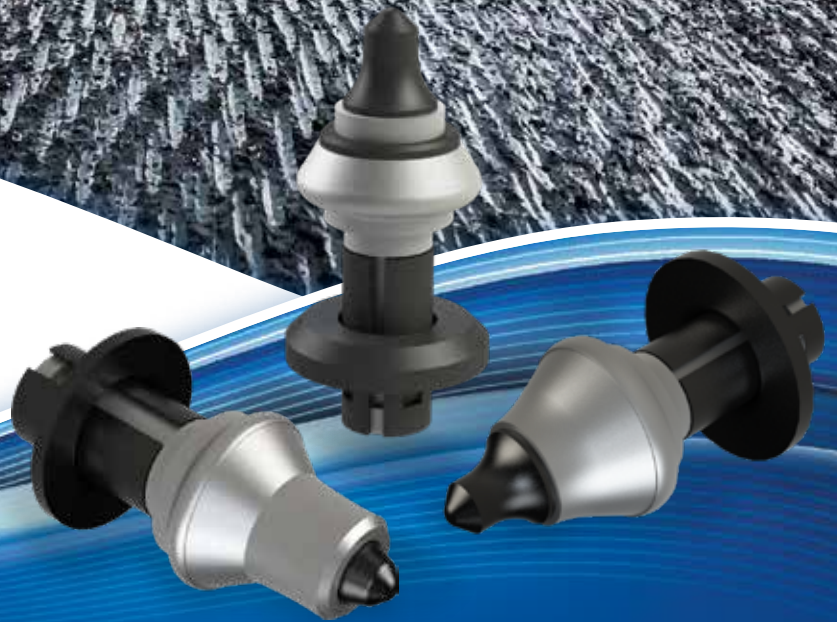




**XCAL**  
TOOLS



# ROAD MILLING & RECLAIMING

## All Locations

---

### **XCAL TOOLS of Clare**

314 E. 4th Street  
Clare, MI 48617  
Ph: (989) 386-5376

---

### **XCAL TOOLS of Madisonville**

3957 Anton Road  
Madisonville, KY 42431  
Ph: (270) 825-BITS (2487)

---

### **XCAL TOOLS of South Point**

235 Commerce Drive  
South Point, OH 45680  
Ph: (740) 377-3354  
Fax: (740) 377-3363

---

### **XCAL Industries**

843 Lochgelly Road  
Oak Hill, WV 25901  
Ph: (304) 469-4721  
Fax: (304) 469-4750

---

### **XCAL TOOLS of Beckley**

256 Industrial Drive  
Oak Hill, WV 25901  
Ph: (304) 465-0651  
Fax: (304) 465-5244

---

### **XCAL TOOLS of Bristol**

15020 Industrial Park Road  
Bristol, VA 24202  
Ph: (276) 644-3520  
Fax: (276) 644-3523





# Table of Contents

## ROAD MILLING/RECLAIMING

Carbide Tips.....	8
Tool Wear .....	9
Tool Wear Characteristics .....	10
Accessories.....	31

### 19 mm

P5 .....	12
P6, PW6 .....	12
P7, PW7.....	12
P14, PW14.....	12
P88, PW88.....	12

### 19 mm - HEAVY DUTY

PH6 .....	13
PH7 .....	13
PH86 .....	13
PH87.....	13
PH88 .....	13

### 19 mm - XTEND-A-BIT™

PX6, PWX6 .....	14
PX7, PWX7.....	14
PHX87, PWX87.....	14

### 22 mm

P203.....	15
P26.....	15
P2X.....	15

## RECLAIMING

PR28.....	16
PR70.....	16

### 19 mm - BLOCKS

B19H45 .....	17
B19L45.....	17
B19HT45.....	17
B19P50 .....	17
B19PB.....	17

### 22 mm - BLOCKS

B22H45 .....	18
B22HT45.....	18
B22NR45 .....	18
B22PT45.....	18

## QUICK CHANGE BLOCK SYSTEMS

B303X.....	19
B303XT.....	19
S303X.....	19
S303R.....	19
S303R-87 .....	19
B102P45.....	20
B102PTVR45.....	20
B102PTVL45 .....	20
S102.....	20

## CONSTRUCTION DRUMS

Manufacturing and Rebuilding .....	21
------------------------------------	----

## WEAR PARTS - WEAR PROTECTION

WIRTGEN Skis.....	22
WIRTGEN FI Skis.....	23

## WEAR PARTS - SCRAPERS

WIRTGEN Type 1 .....	24
WIRTGEN Type 2 .....	25
ROADTEC.....	26-27

## DRUM DISCHARGE PADDLES

Drum Discharge Paddles .....	30
------------------------------	----

## TAMCO TOOLS

Air Tool Accessories .....	32-33
----------------------------	-------

VISIT US ONLINE  
FOR QUOTE  
REQUESTS  
AND MORE!



DISCLAIMER: Contents of XCAL TOOLS publications are provided for informational purposes only. Nominal values for technical data are provided. For site-specific product information, contact your XCAL TOOLS representative. While every effort has been made to ensure the accuracy of these publications, they are not to be construed as warranties or guarantees, express or implied, regarding the products or services described herein or their use or applicability. All sales are governed by XCAL TOOLS /JENNMAR terms and conditions. We reserve the right to modify or improve the designs or specifications of such products at any time without notice. Not all products are available in all areas.



# SUPERIOR QUALITY

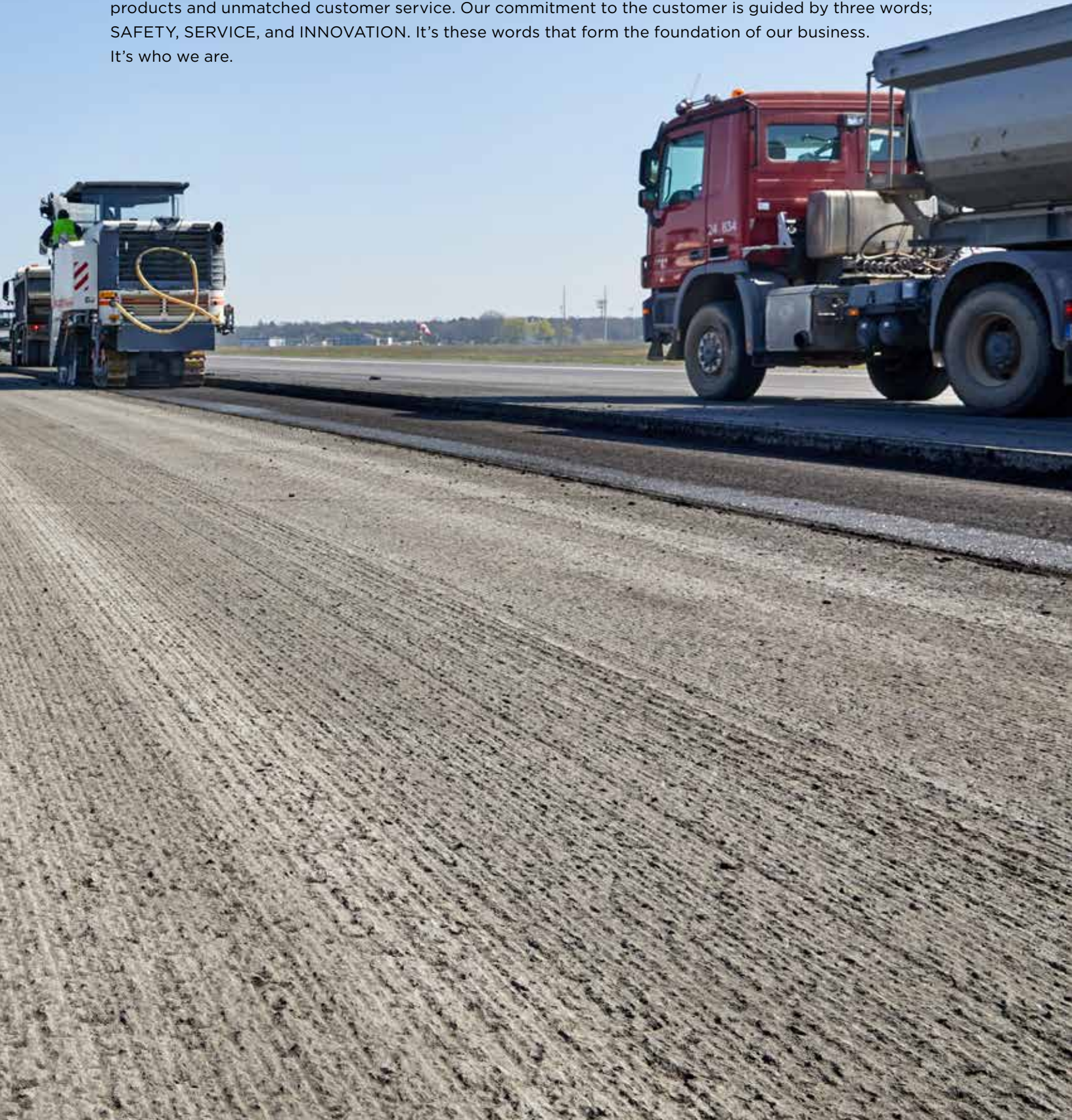
XCAL TOOLS takes pride in manufacturing and selling a full line of road planing, soil stabilization, reclaiming, grading, trenching and foundation drilling bits and carbide tooling products that are American-made. Our inhouse operations gives us the flexibility to quickly test and adapt to changing environments and customer needs. Our cost effective production methods, allows us to provide a exceptional product of the highest quality.



# SERVICE AND INNOVATION

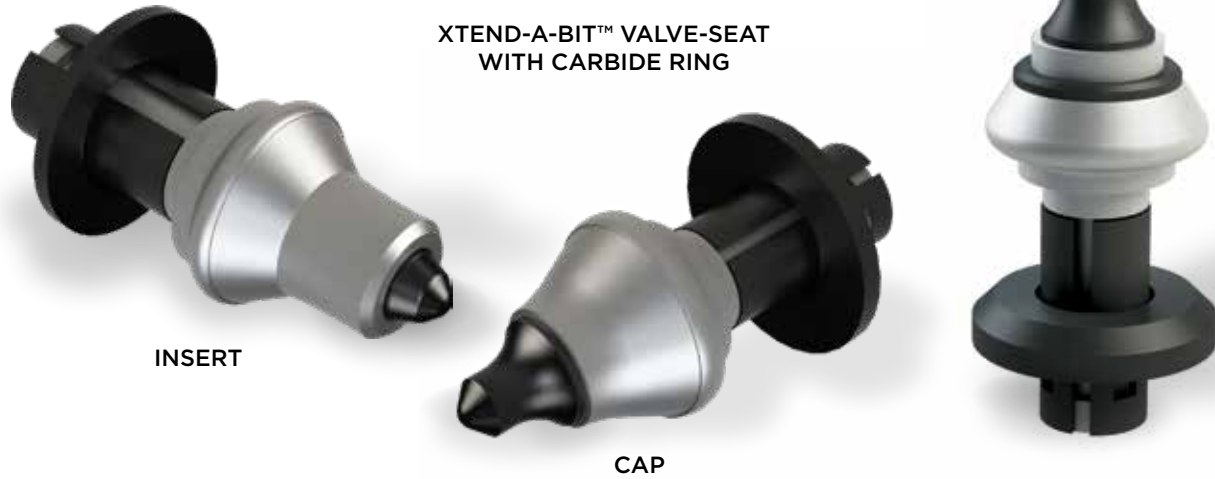
For over 20 years, our carbide producer XCAL INDUSTRIES, has been producing high quality carbide for the mining, roof drilling, snow and ice removal, road planing, wear products and metal cutting blanks, producing over fifty grades of cemented carbide and the capability to develop extra coarse, tougher grades to meet the demands of the industry.

These affiliates of JENNMAR, in collaboration with each other, can provide you with superior quality products and unmatched customer service. Our commitment to the customer is guided by three words; SAFETY, SERVICE, and INNOVATION. It's these words that form the foundation of our business. It's who we are.



# Carbide Tips

We are an ISO 9001 certified facility that offers a wide range of carbide tips to match the various challenges that you might face. Producing over fifty grades of cemented carbide and the ability to create new ones, we can find a carbide grade to meet your needs. Our versatility helps us to check and respond easily to evolving conditions and customer needs. All of our tips provide superb penetration and maximum productivity – regardless of whether you work in soft, medium-hard or extremely hard and demanding conditions.



## Insert Carbide Tips

Insert carbide tips are best for penetration applications where steel wash is not an issue. These tips are ideal for use in hard, high-impact conditions.



## Cap Carbide Tips

Flat bottom carbide tips are the preferred general application tip that effectively works in 80% of cutting conditions.



## Valve-Seat Carbide Tips

Valve-Seat carbide tips have a valve-seat braze joint for increased strength and shear resistance. The tips provide excellent penetration, and the large carbide shoulder gives excellent protection against steel wash. These tips are best suited for use in soft to medium materials or conditions.



## Carbide Ring

Strategically placed carbide ring prevents body wear, maximizing carbide tip use. The carbide ring also adds greater block protection.



## HD Washer

XCAL TOOLS's engineered heavy duty washer provides optimum rotation and superior block face protection allowing the bit to be used to its full life.



Proudly made in the U.S.A.

# Tool Wear

XTEND-A-BIT™ tools are equipped with a carbide ring placed slightly below the tip to prevent body wear and maximize carbide tip use. Each tool is available with either a valve seat or cap carbide tip. XTEND-A-BIT tools reign supreme in high body wash conditions.



**Standard Body - Wear Over Time\***



**Heavy Duty Body - Wear Over Time\***



**Xtend-A-Bit™ Body - Wear Over Time\***

## Choosing the Right Bit for Your Application

XTEND-A-BIT™ is fitted with a carbide ring that protects the steel body of the bit from erosion when the bits are exposed to extremely abrasive material.

If your heavy duty bits consistently show an hour-glass wear pattern on the body, but the carbide tips are not wearing away, consider replacing your bits with the XTEND-A-BIT.

Customers who have previously experienced hourglass wear, who have replaced their bits with XTEND-A-BITs, report two to three times their bit life.

Ideal applications for XTEND Series (CARBIDE RING) tools:

- Tools are worn out and still have considerable life remaining in the tip.
- High steel/body wear.
- Any heavy wear application.

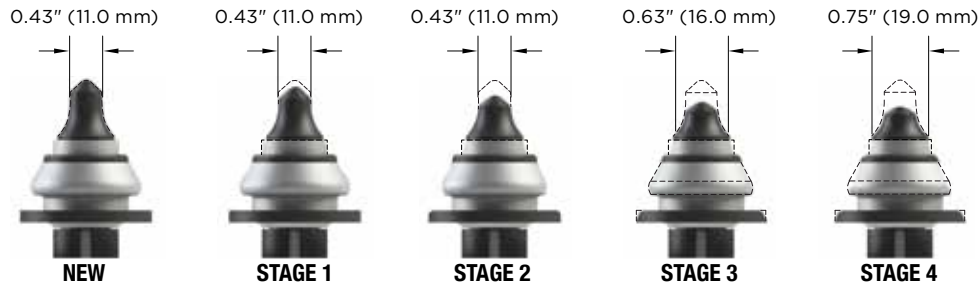


Proudly made in the U.S.A.



# Tool Wear Characteristics

For maximum productivity, use tools until stage three of wear.



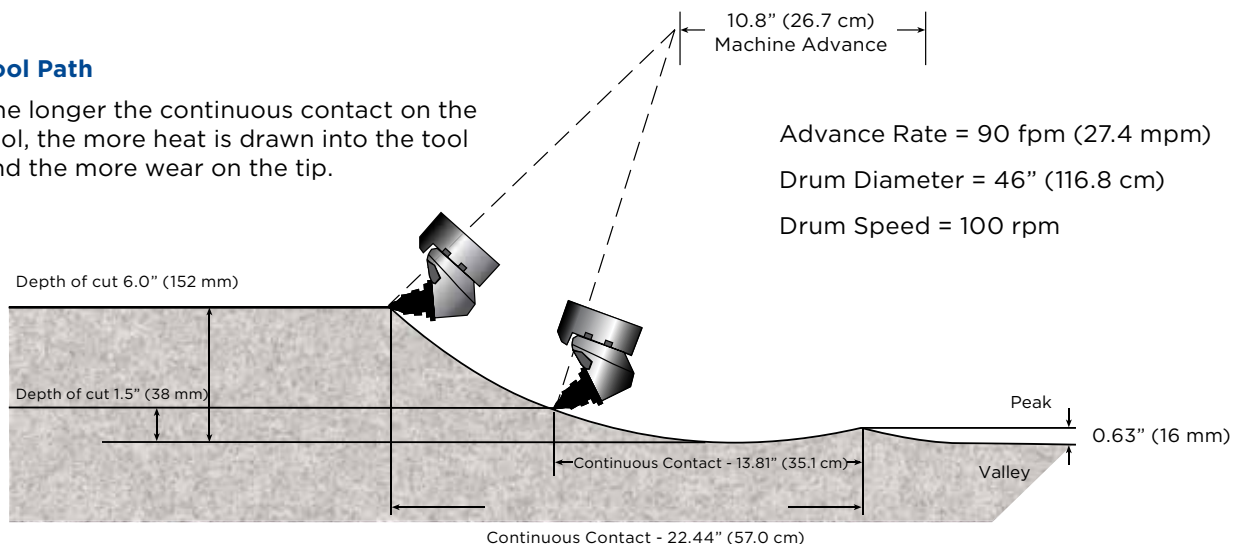
## Tools Engaged and Surface Area of the Tip in the Cut

This chart shows the change in the total surface area of tips engaged as wear occurs. Tip wear relates to the depth of cut and speed at which the machine is operating, as indicated below.

				NP68 SURFACE AREA OF TIPS IN THE CUT									
				NEW TOOL		STAGE 1		STAGE 2		STAGE 3		STAGE 4	
SPEED				in <sup>2</sup>	cm <sup>2</sup>	in <sup>2</sup>	cm <sup>2</sup>	in <sup>2</sup>	cm <sup>2</sup>	in <sup>2</sup>	cm <sup>2</sup>	in <sup>2</sup>	cm <sup>2</sup>
DEPTH OF CUT	FPM	MPM	TOOLS ENGAGED *	0.15	1.00	0.15	1.00	.15	1.00	.322	2.00	0.43	0.8
1.5" (3.8 cm)	30	9.1	11	1.62	10.5	1.62	10.5	1.62	10.5	3.47	22.4	4.78	30.9
1.5" (3.8 cm)	60	18.3	13	1.91	12.4	1.91	12.4	1.91	12.4	4.10	26.5	5.65	36.5
1.5" (3.8 cm)	120	36.6	17	2.50	16.2	2.50	16.2	2.50	16.2	5.37	34.6	7.39	47.7
3" (7.6 cm)	30	9.1	15	2.21	14.3	2.21	14.3	2.21	14.3	4.47	30.6	6.52	42.1
3" (7.6 cm)	60	18.3	16	2.36	15.2	2.36	15.2	2.36	15.2	5.05	32.6	6.96	44.9
3" (7.6 cm)	120	36.6	20	2.95	19.0	2.95	19.0	2.95	19.0	6.31	40.7	8.69	56.1
6" (15.2 cm)	30	9.1	20	2.95	19.0	2.95	19.0	2.95	19.0	6.31	40.7	8.69	56.1
6" (15.2 cm)	60	18.3	22	3.24	20.9	3.24	20.9	3.24	20.9	6.95	44.8	9.56	61.7
6" (15.2 cm)	120	36.6	26	3.83	24.7	3.83	24.7	3.83	24.7	8.21	53.0	11.30	72.9
12" (30.5 cm)	30	9.1	28	4.12	26.6	4.12	26.6	4.12	26.6	8.84	57.0	12.17	78.5
12" (30.5 cm)	60	18.3	30	4.42	28.5	4.42	28.5	4.42	28.5	9.47	61.1	13.04	84.1

## Tool Path

The longer the continuous contact on the tool, the more heat is drawn into the tool and the more wear on the tip.



Proudly made in the U.S.A.





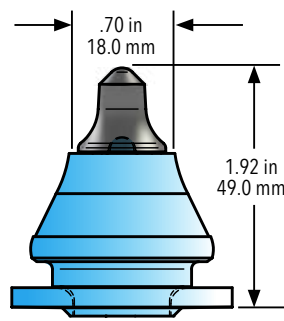
# Road Milling/Reclaiming



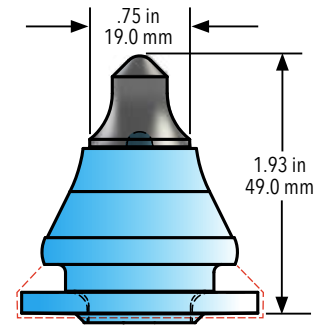
## Features:

- Unique tool design provides superior rotation
- Full sleeve retainer and washer maintain maximum block bore and seat protection
- Puller groove for easy extraction

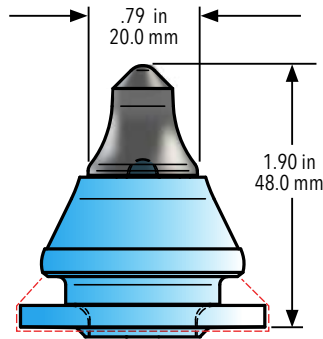
Part Number	Shank (in, mm)	Tip Diameter (in, mm)	Base Diameter (in, mm)	Gauge (in, mm)	Pieces per Box	Pieces per Pallet
P5	.74 in 19.0 mm	.36 in 9.2 mm	.70 in 18.0 mm	1.92 in 49.0 mm	50	3000
P6 PW6	.74 in 19.0 mm	.41 in 10.5 mm	.75 in 19.0 mm	1.92 in 48.8 mm	50	3000
P7 PW7	.74 in 19.0 mm	.43 in 11.0 mm	.79 in 20.0 mm	1.90 in 48.0 mm	50	3000
P14 PW14	.74 in 19.0 mm	.48 in 12.0 mm	.47 in 12.0 mm	2.05 in 52.0 mm	50	3000
P88	.74 in 19.0 mm	.45 in 11.4 mm	.79 in 20.0 mm	2.00 in 51.0 mm	50	3000
PW88	.74 in 19.0 mm	.45 in 11.4 mm	.79 in 20.0 mm	2.00 in 51.0 mm	50	3000



**P5**  
Carbide Flat Bottom Cap

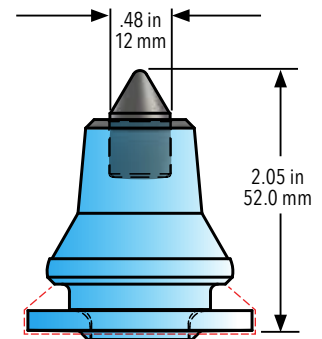


**P6 - Standard Washer**  
**PW6 - HD Washer\***  
Carbide Flat Bottom Cap

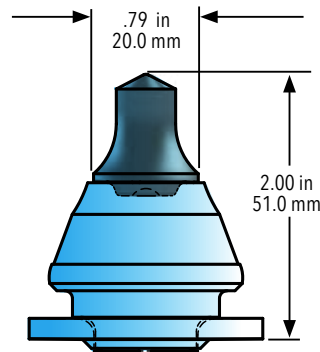


**P7 - Standard Washer**  
**PW7 - HD Washer\***  
Carbide Flat Bottom Cap

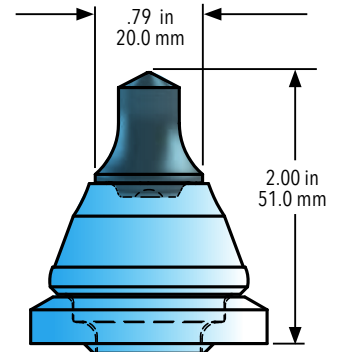
\*(HD Washer)



**P14 - Standard Washer**  
**PW14 - HD Washer\***  
Carbide Plug  
For concrete grinding applications.



**P88**  
Carbide Valve Seat Cap

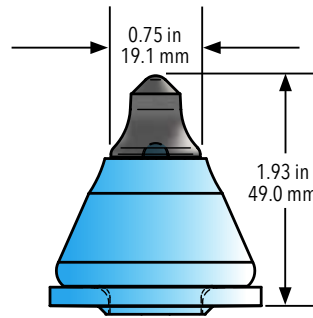


**PW88 - HD Washer\***  
Carbide Valve Seat Cap



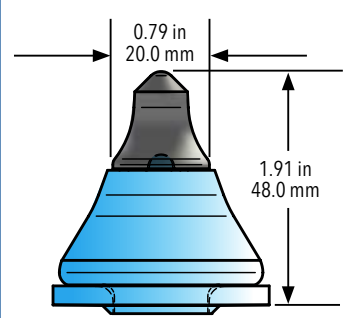
Proudly made in the U.S.A.

# Road Milling/Reclaiming



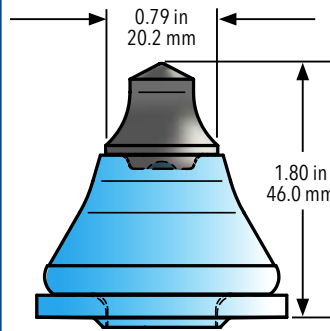
**PH6**

Carbide Flat Bottom Cap



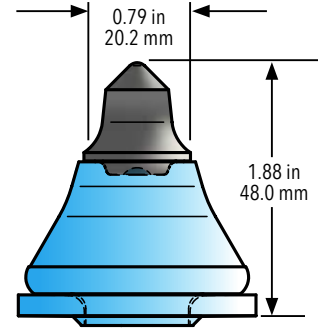
**PH7**

Carbide Flat Bottom Cap



**PH86**

Carbide Valve Seat Cap

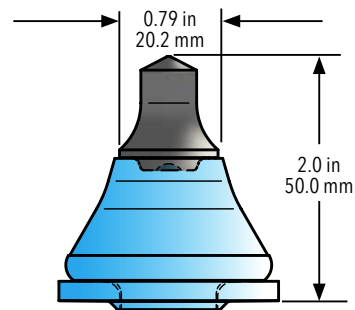


**PH87**

Carbide Valve Seat Cap

## Features:

- Heavy duty body provides longer body life in steel wash conditions
- Full sleeve retainer and washer maintain maximum block bore and seat protection



**PH88**

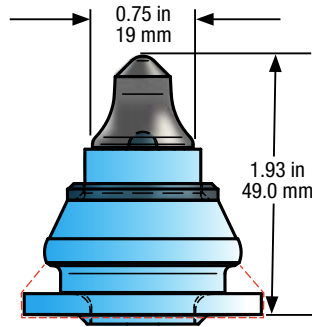
Carbide Valve Seat Cap

Part Number	Shank (in, mm)	Tip Diameter (in, mm)	Base Diameter (in, mm)	Gauge (in, mm)	Pieces per Box	Pieces per Pallet
PH6	0.74 in 19.0 mm	0.41 in 10.5 mm	0.75 in 19.1 mm	1.93 in 49.0 mm	50	3000
PH7	0.74 in 19.0 mm	0.41 in 10.5 mm	0.79 in 20.0 mm	1.91 in 48.0 mm	50	3000
PH86	0.74 in 19.0 mm	0.45 in 11.4 mm	0.79 in 20.2 mm	1.80 in 46.0 mm	50	3000
PH87	0.74 in 19.0 mm	0.47 in 11.9 mm	0.79 in 20.2 mm	1.88 in 48.0 mm	50	3000
PH88	0.74 in 19.0 mm	0.45 in 11.4 mm	0.79 in 20.2 mm	2.0 in 50.0 mm	50	3000



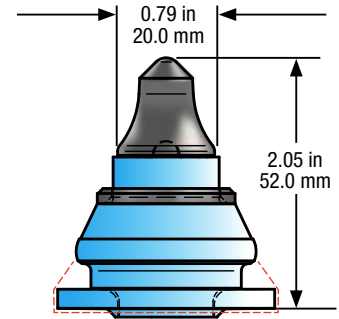
Proudly made in the U.S.A.

# Road Milling/Reclaiming

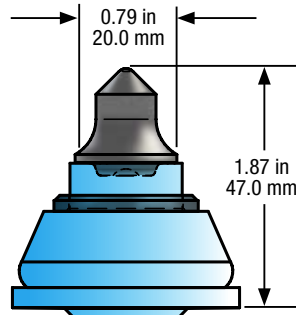


**PX6** - Standard Washer  
**PWX6** - \*HD Washer  
 Carbide Flat Bottom Cap

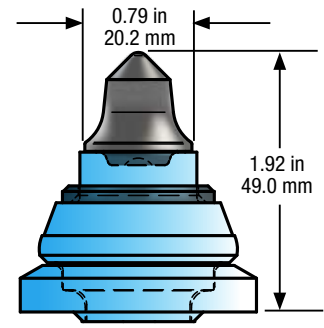
\*(HD Washer)



**PX7** - Standard Washer  
**PWX7** - \*HD Washer  
 Carbide Flat Bottom Cap



**PHX87** - Standard Washer  
 Carbide Valve Seat Cap



**PWX87** - HD Washer  
 Carbide Valve Seat Cap

## Features:

- Strategically placed carbide ring prevents body wear, maximizing carbide tip use
- Carbide ring also adds greater block protection if tip is lost
- Puller groove feature for easy enhanced rotation
- Full sleeve retainer and washer maintain maximum block bore and seat protection

Part Number	Shank (in, mm)	Tip Diameter (in, mm)	Base Diameter (in, mm)	Gauge (in, mm)	Pieces per Box	Pieces per Pallet
PX6 PWX6	0.74 in 19 mm	0.41 in 10.5 mm	0.75 in 19.0 mm	1.93 in 49.0 mm	50	3000
PX7 PWX7	0.74 in 19 mm	0.74 in 19 mm	0.79 in 20.0 mm	2.05 in 52.0 mm	50	3000
PHX87	0.74 in 19 mm	0.47 in 12.0 mm	0.79 in 20.0 mm	1.87 in 47.0 mm	50	3000
PWX87	0.74 in 19 mm	0.47 in 12.0 mm	0.79 in 20.0 mm	1.92 in 49.0 mm	50	3000



## ALL ROAD MILLING TOOLS ARE NOT CREATED EQUAL

XTEND-A-BIT's enhanced carbide tip bit is suited for cutting extremely hard or thick asphalt, or for use in applications where you may inadvertently strike rock in the road base.

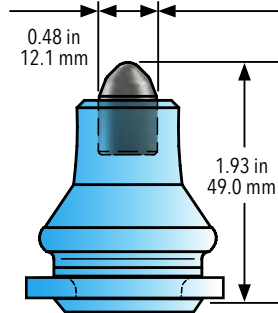
Customers who have previously experienced hourglass wear, who have replaced their bits with XTEND-A-BITS, report two to three times their bit life!



Proudly made in the U.S.A.

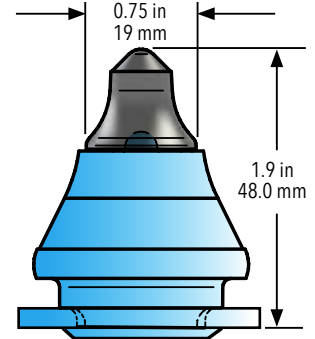


# Road Milling/Reclaiming



## P203

Carbide Plug -  
For concrete grinding applications.



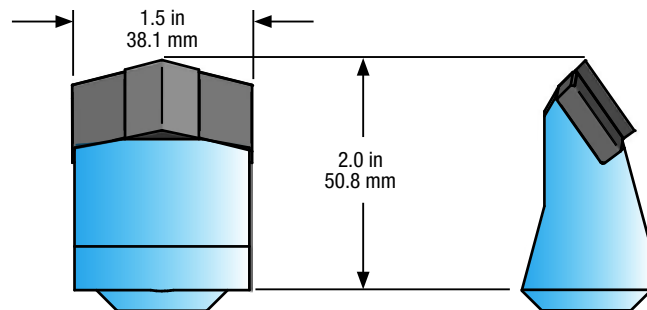
## P26

Carbide Flat  
Bottom Cap

### Features:

- Unique tool design provides superior rotation
- Puller groove for easy extraction
- Full sleeve retainer and washer maintain maximum block bore and seat protection

Part Number	Shank (in, mm)	Tip Diameter (in, mm)	Base Diameter (in, mm)	Gauge (in, mm)	Pieces per Box	Pieces per Pallet
P203	0.87 in 22 mm	0.47 in 12.1 mm	0.48 in 12.1 mm	1.93 in 49.0 mm	50	3000
P26	0.87 in 22 mm	0.75 in 19 mm	0.926 in 23.5 mm	1.9 in 45.0 mm	50	3000



## P2X

- Non-rotating tool with flat carbide edge for soft to medium hard conditions.
- Used to create combination chains.
- Used for soil stabilization.
- K85 internal retainer.

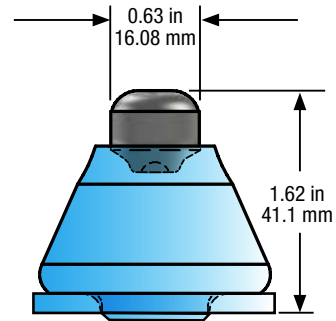
Part Number	Shank (in, mm)	Tip Diameter (in, mm)	Base Diameter (in, mm)	Gauge (in, mm)	Pieces per Box	Pieces per Pallet
P2X	0.87 in 22 mm	N/A	N/A	2.0 in 50.8 mm	40	2400



Proudly made in the U.S.A.

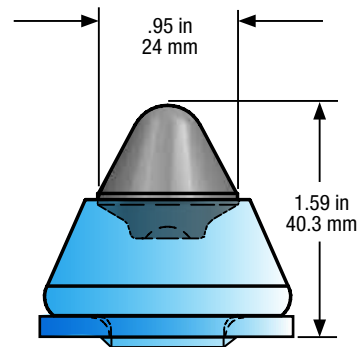


# Reclaiming



## PR28

Carbide Valve Seat Cap



## PR70

Carbide Valve Seat Cap

### Features:

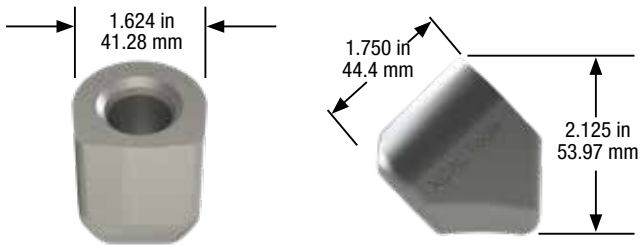
- Heavy Duty body and extra large carbide tips, provide maximum strength and tool life
- Unique carbide design provides better material gradation
- Full sleeve retainer and washer maintain maximum block bore and seat protection

Part Number	Shank (in, mm)	Tip Diameter (in, mm)	Base Diameter (in, mm)	Gauge (in, mm)	Pieces per Box	Pieces per Pallet
PR28	0.74 in 19 mm	0.63 in 16.08 mm	0.63 in 16.08 mm	1.62 in 41.1 mm	50	3000
PR70	0.74 in 19 mm	0.25 in 6.35 mm	0.95 in 24 mm	1.59 in 40.3 mm	50	3000



Proudly made in the U.S.A.

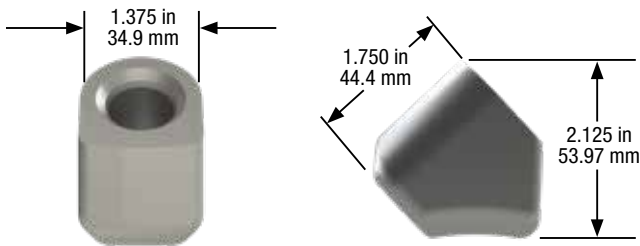
# Blocks



**B19H45**

**B19H45 - Heavy Duty**

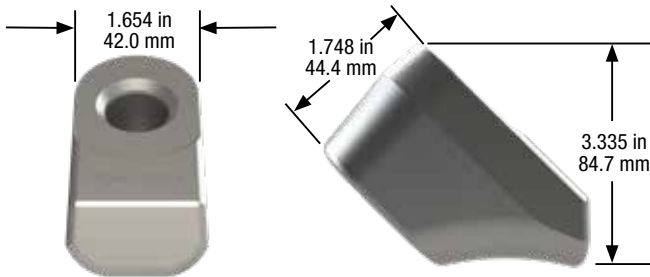
Bore Hole Diameter (in, mm)	Width (in, mm)	Angle (degrees)	Internal Groove	Pieces per Box	Pieces per Pallet
1.050 in 26.67 mm	1.624 in 41.28 mm	45°	Yes	35	2100



**B19L45**

**B19L45 - Standard Duty**

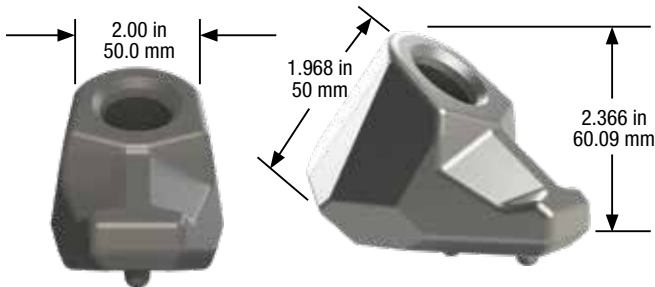
Bore Hole Diameter (in, mm)	Width (in, mm)	Angle (degrees)	Internal Groove	Pieces per Box	Pieces per Pallet
1.020 in 25.9 mm	1.375 in 34.9 mm	45°	Yes	35	2100



**B19HT45**

**B19HT45 - Heavy Duty Tall**

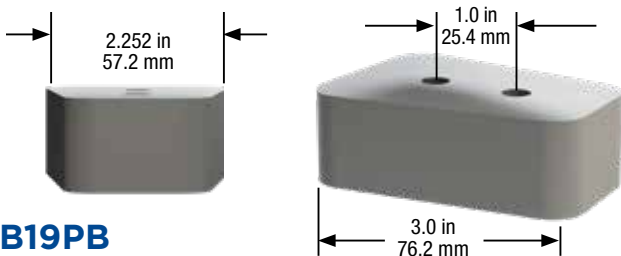
Bore Hole Diameter (in, mm)	Width (in, mm)	Angle (degrees)	Internal Groove	Pieces per Box	Pieces per Pallet
1.050 in 26.67 mm	1.654 in 42.0 mm	45°	Yes	15	900



**B19P50**

**B19P50 - V design with locator pins**

Bore Hole Diameter (in, mm)	Width (in, mm)	Angle (degrees)	Internal Groove	Pieces per Box	Pieces per Pallet
.783 in 19.89 mm	2.00 in 50.8 mm	50°	NA	15	900



**B19PB**

**B19PB - Base for B19P50**

Bore Hole Diameter (in, mm)	Width (in, mm)	Angle (degrees)	Internal Groove	Pieces per Box	Pieces per Pallet
NA	2.252 in 57.2 mm	NA	NA	15	900

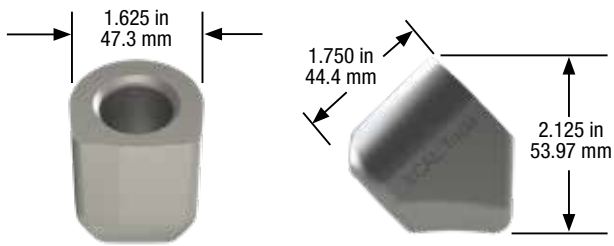


Proudly made in the U.S.A.





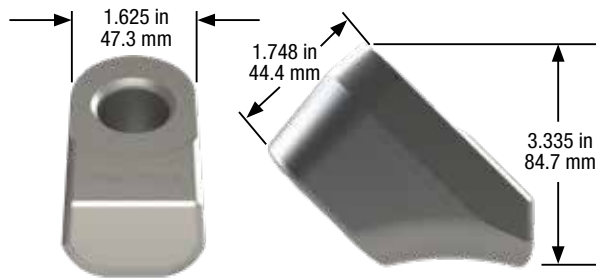
# Blocks



**B22H45**

**B22H45 - Heavy Duty**

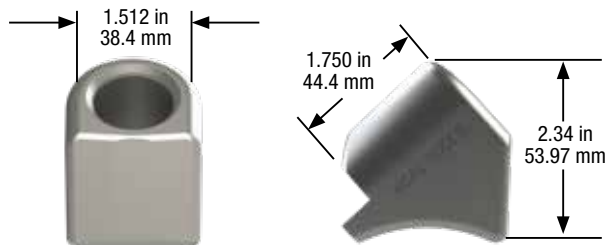
Bore Hole Diameter (in, mm)	Width (in, mm)	Angle (degrees)	Internal Groove	Pieces per Box	Pieces per Pallet
0.885 in 22.48 mm	1.625 in 47.3 mm	45°	Yes	35	2100



**B22HT45**

**B22HT45 - Heavy Duty Tall**

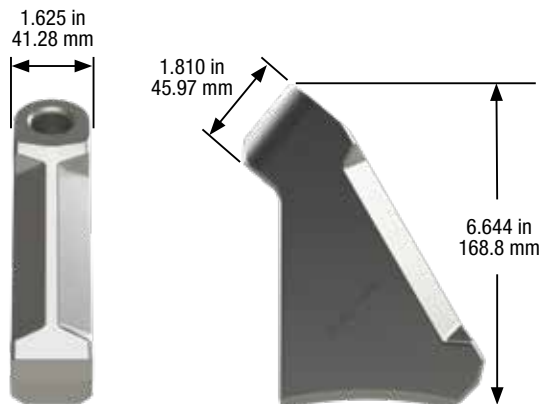
Bore Hole Diameter (in, mm)	Width (in, mm)	Angle (degrees)	Internal Groove	Pieces per Box	Pieces per Pallet
0.885 in 22.48 mm	1.625 in 47.3 mm	45°	Yes	15	900



**B22NR45**

**B22NR45 - Standard, Non-Rotating**

Bore Hole Diameter (in, mm)	Width (in, mm)	Angle (degrees)	Internal Groove	Pieces per Box	Pieces per Pallet
0.885 in 22.48 mm	1.512 in 38.4 mm	45°	Yes	35	2100



**B22PT45**

**B22PT45 - Planer/Reclaimer Tall**

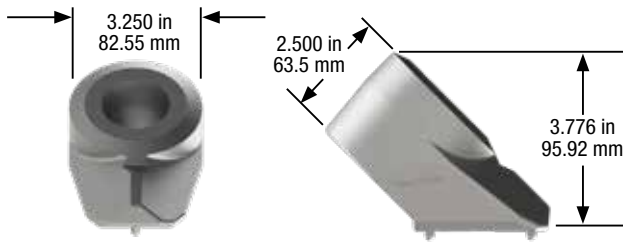
Bore Hole Diameter (in, mm)	Width (in, mm)	Angle (degrees)	Internal Groove	Pieces per Box	Pieces per Pallet
.885 in 22.48 mm	2.00 in 50.8 mm	50°	Yes	6	360



Proudly made in the U.S.A.



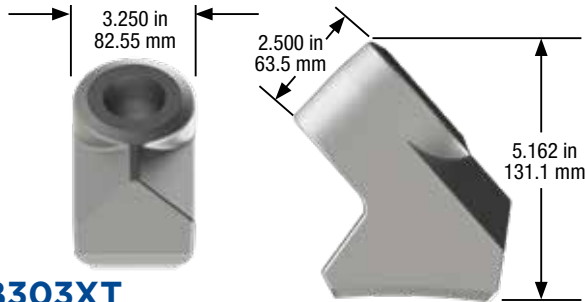
# Blocks/Sleeves



**B303X**

**B303X - Large Quick Change Block**

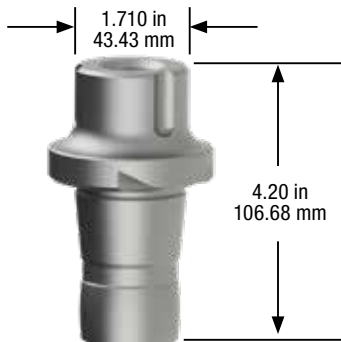
Bore Hole Diameter (in, mm)	Width (in, mm)	Angle (degrees)	Internal Groove	Pieces per Box	Pieces per Pallet
1.510 in 38.35 mm	3.250 in 82.55 mm	50°	NA	6	360



**B303XT**

**B303XT - Large Tall Quick Change Block**

Bore Hole Diameter (in, mm)	Width (in, mm)	Angle (degrees)	Internal Groove	Pieces per Box	Pieces per Pallet
1.510 in 38.35 mm	3.250 in 82.55 mm	50°	NA	2	120



**S303X**

**S303X - Sleeve**

Bore Hole Diameter (in, mm)	Width (in, mm)	Angle (degrees)	Internal Groove	Pieces per Box	Pieces per Pallet
0.783 in 19.89 mm	2.5 in 63.5 mm	NA	NA	10	600



**S303R**

**S303R - Sleeve**

Bore Hole Diameter (in, mm)	Width (in, mm)	Angle (degrees)	Internal Groove	Pieces per Box	Pieces per Pallet
0.783 in 19.89 mm	2.50 in 63.5 mm	NA	NA	10	600



**S303R-87**

**S303R-87 - Sleeve**

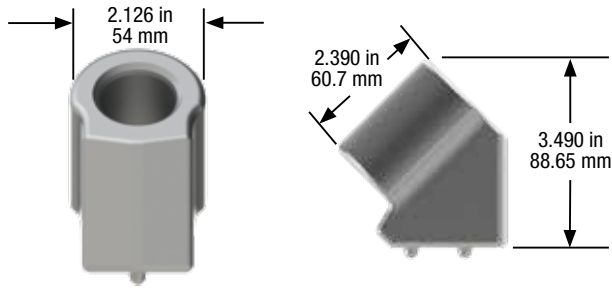
Bore Hole Diameter (in, mm)	Width (in, mm)	Angle (degrees)	Internal Groove	Pieces per Box	Pieces per Pallet
0.879 in 22.32 mm	2.50 in 63.5 mm	NA	NA	10	600



Proudly made in the U.S.A.



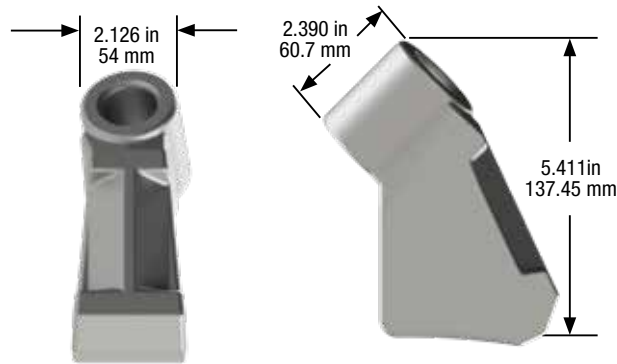
# Blocks/Sleeves



**B102P45 - Small Quick Change Block**

Bore Hole Diameter (in, mm)	Width (in, mm)	Angle (degrees)	Internal Groove	Pieces per Box	Pieces per Pallet
1.181 in 30 mm	2.126 in 54 mm	45°	NA	10	600

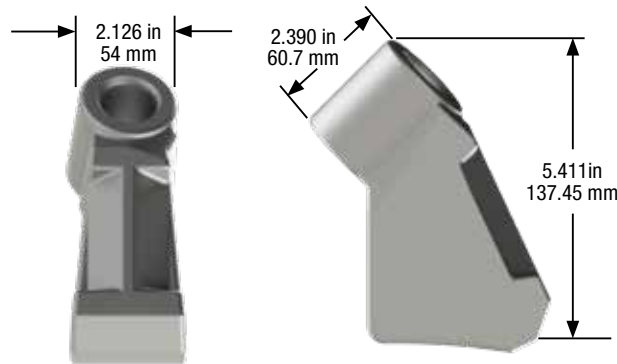
**B102P45**



**B102PTVR45 - Small Tall Quick Change Block, Right**

Bore Hole Diameter (in, mm)	Width (in, mm)	Angle (degrees)	Internal Groove	Pieces per Box	Pieces per Pallet
1.181 in 30 mm	2.126 in 54 mm	45°	NA	4	240

**B102PTVR45**



**B102PTVL45 - Small Tall Quick Change Block, Left**

Bore Hole Diameter (in, mm)	Width (in, mm)	Angle (degrees)	Internal Groove	Pieces per Box	Pieces per Pallet
1.181 in 30 mm	2.126 in 54 mm	45°	NA	4	240

**B102PTVL45**



**S102 - Sleeve**

Bore Hole Diameter (in, mm)	Width (in, mm)	Angle (degrees)	Internal Groove	Pieces per Box	Pieces per Pallet
0.785 in 19.94 mm	1.874 in 47.59 mm	NA	NA	20	1200

**S102**



Proudly made in the U.S.A.



## Construction Drums

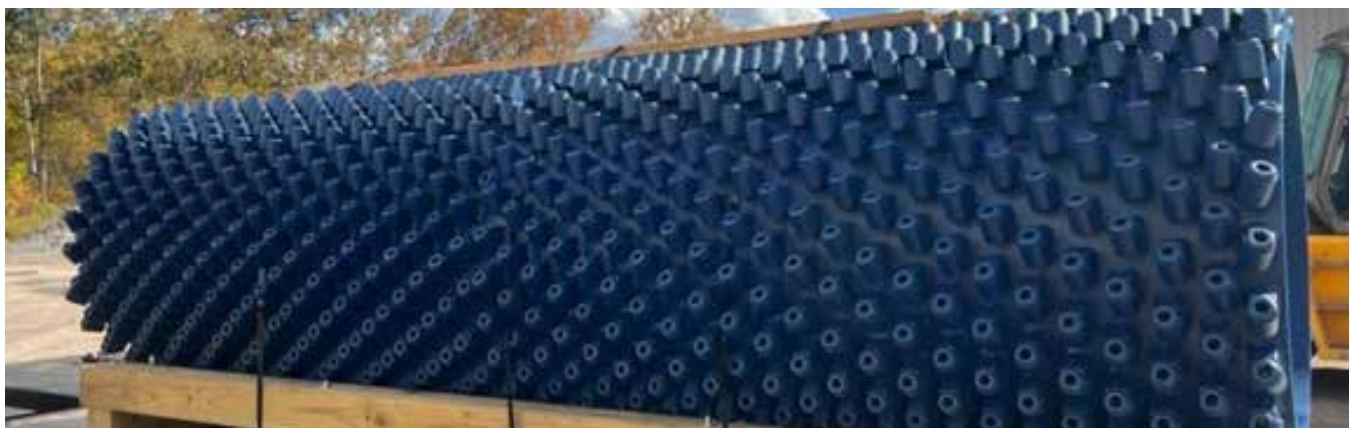
XCAL TOOLS takes pride in both manufacturing new, and rebuilding all makes and models of construction drums. XCAL drums are designed to meet or exceed OEM specifications to ensure smooth installation into your machine. Our engineers will work with you to develop a lacing pattern to achieve any state spec, while ensuring a balanced pattern to keep your drum cutting smooth, minimizing the strain on your machine.



Adjusting lacing patterns can result in smoother faster cutting, longer-lasting drums, and less strain on the machine. Careful control of welding procedures, results in maximum weld quality and minimum distortion.

We have a wide array of block and sleeve combinations to fit your needs.

Along with quality, you are assured to get our time-tested, proven methods ensuring you have a drum you can count on all season long.



Our mission is to create the highest quality products by providing total customer support and satisfaction to get you back into production as soon as possible.

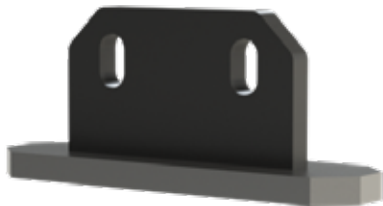


*Proudly made in the U.S.A.*

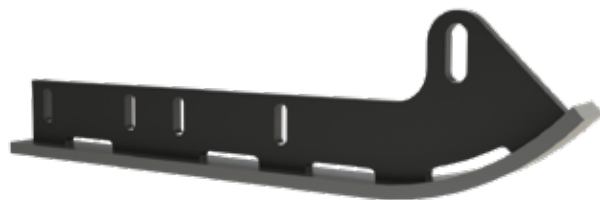
## Wear Parts (For Wirtgen™ Equipment - Wear Protection Skis)

### Looking for more options?

Reach out to your regional sales representative to receive a quote and check availability for the parts you are interested in. You can contact us via email at [info.bristol@xcaltools.com](mailto:info.bristol@xcaltools.com) or by calling us at (276) 644-3520.



**50 x 200 mm**  
Part Number: SK56731



**50 x 625 mm**  
Part Number: SK155630



**50 x 490 mm**  
Part Number: SK157828



**40 x 180 mm**  
Part Number: SK2069177

\*Also fits Part Number 113001



**50 x 450 mm**  
Part Number: SK2106074



**50 x 200 mm**  
Part Number: SK2111404



**40 x 170 mm**  
Part Number: SK2129390



**SCANNER SKI**  
Part Number: SK2219386



Proudly made in the U.S.A.

## Wear Parts *(For Wirtgen™ FI Equipment - Wear Protection Skis)*



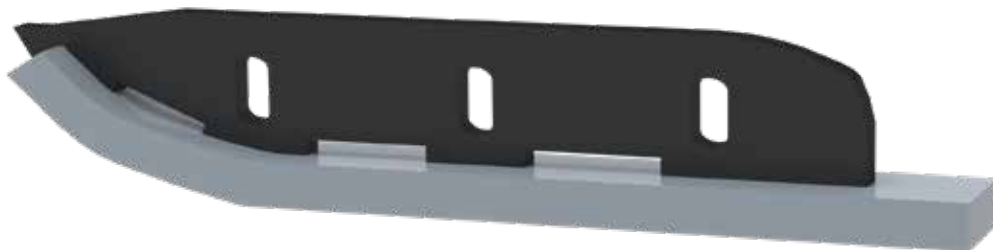
**50 x 360 mm**

Part Number: SK2714750



**32 x 450 mm**

Part Number: SK2601214



**50 x 421 mm**

Part Number: SK2714905



Proudly made in the U.S.A.

## Wear Parts (For Wirtgen™ Equipment - Type 1 Scrapers)

### Looking for more options?

Reach out to your regional sales representative to receive a quote and check availability for the parts you are interested in. You can contact us via email at [info.bristol@xcaltools.com](mailto:info.bristol@xcaltools.com) or by calling us at (276) 644-3520.

Our Type 1 scrapers are developed to guarantee the finest possible glide execution on the milled surface when scraping.



**248 mm**  
Part Number: SC43408



**248 mm**  
Part Number: SC44638



**248 mm**  
Part Number: SC44639



**145 mm**  
Part Number: SC56335



**145 mm**  
Part Number: SC56336



**100 mm**  
Part Number: SC56731



**145 mm**  
Part Number: SC60117



Proudly made in the U.S.A.

## Wear Parts (For Wirtgen™ Equipment - Type 2 Scrapers)

The position, shape, and contour of our Type 2 scrapers are designed for the most dependable strength and glide execution in mind.



**248 mm**  
Part Number: SC146456



**248 mm**  
Part Number: SC146457



**248 mm**  
Part Number: SC146458



**145 mm**  
Part Number: SC146461



**145 mm**  
Part Number: SC146460



**100 mm**  
Part Number: SC146459



**145 mm**  
Part Number: SC146515



Proudly made in the U.S.A.



# Scraper Blades *(For Roadtec Road Milling Equipment)*

- Multi-piece assembly allows for manageable installation
- Sold in individual sections for easy replacements and cost savings

## 3790.95 mm Whole Assembly Part Number: SC94271-03



**828.68 mm**  
Part Number: SC94271-03 L



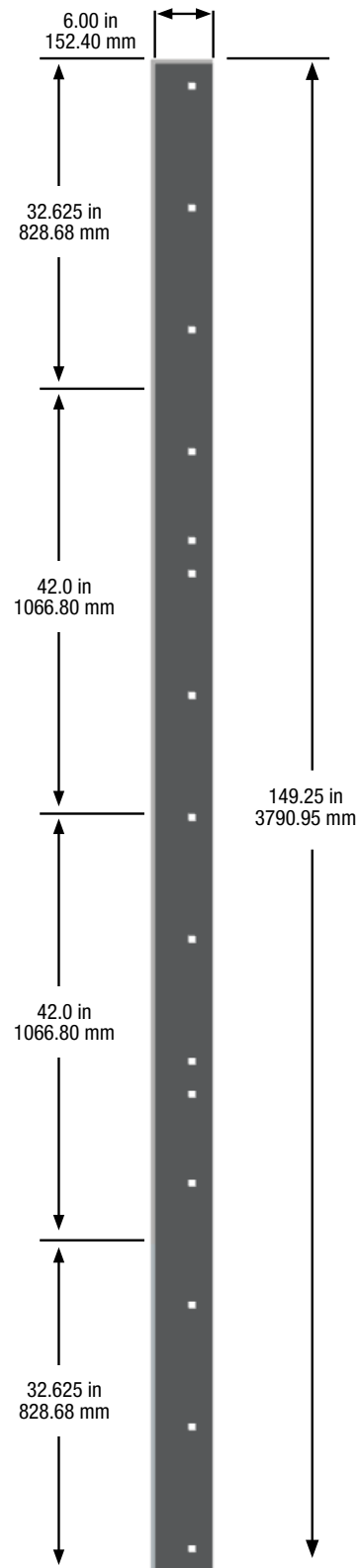
**1066.80 mm**  
Part Number: SC94271-03 LH



**1066.80 mm**  
Part Number: SC94271-03 R



**828.68 mm**  
Part Number: SC94271-03 RH



Proudly made in the U.S.A.

# Scraper Blades *(For Roadtec Road Milling Equipment)*

- Multi-piece assembly allows for manageable installation
- Sold in individual sections for easy replacements and cost savings

**1981.25 mm - Whole Assembly**  
Part Number: SC225326-03



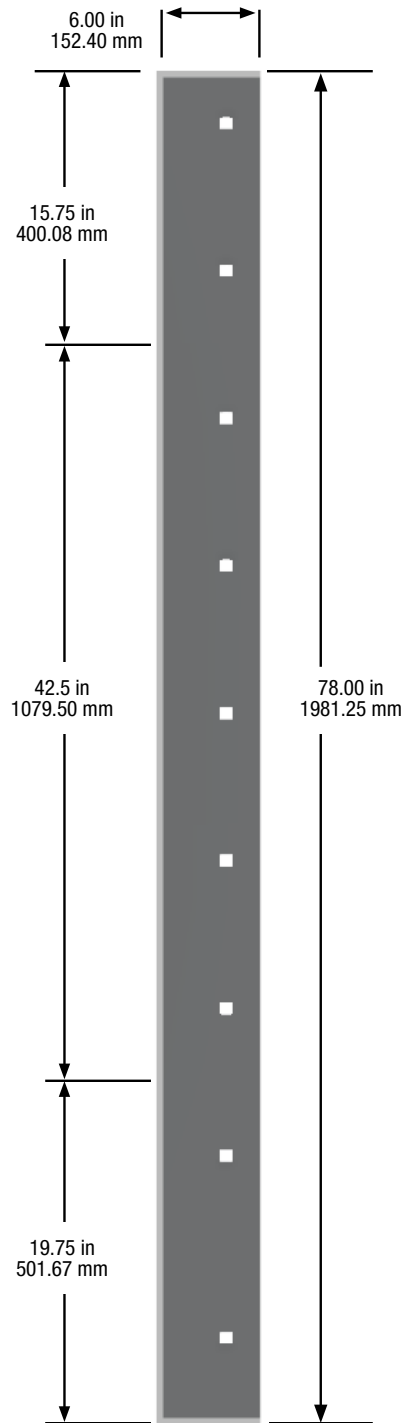
**400.08 mm**  
Part Number: SC225326-03 L



**1079.50 mm**  
Part Number: SC225326-03 Center



**501.67 mm**  
Part Number: SC225326-03 R



Proudly made in the U.S.A.

# Scraper Blades *(For Roadtec Road Milling Equipment)*

- Multi-piece assembly allows for manageable installation
- Sold in individual sections for easy replacements and cost savings

**2165.35 mm - Whole Assembly**  
Part Number: SC225327-03



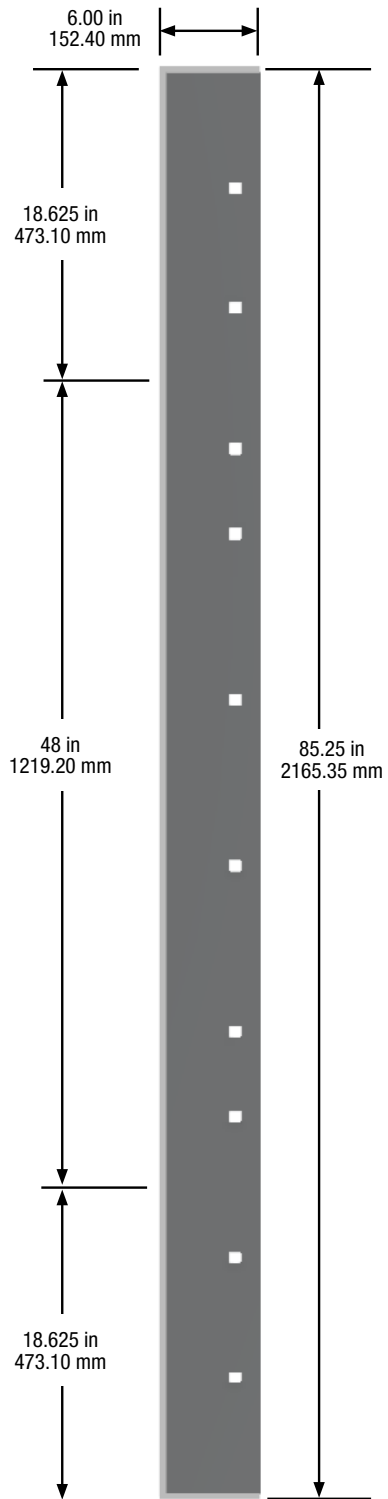
**473.10 mm**  
Part Number: SC225327-03 L



**1219.20 mm**  
Part Number: SC225327-03 Center



**473.10 mm**  
Part Number: SC225327-03 R



## Looking for more options?

Reach out to your regional sales representative to receive a quote and check availability for the parts you are interested in. You can contact us via email at [info.bristol@xcaltools.com](mailto:info.bristol@xcaltools.com) or by calling us at (276) 644-3520.



Proudly made in the U.S.A.

# Scraper Blades *(For Roadtec Road Milling Equipment)*

- Multi-piece assembly allows for manageable installation
- Sold in individual sections for easy replacements and cost savings

**2470.15 mm - Whole Assembly**  
Part Number: SC225328-03



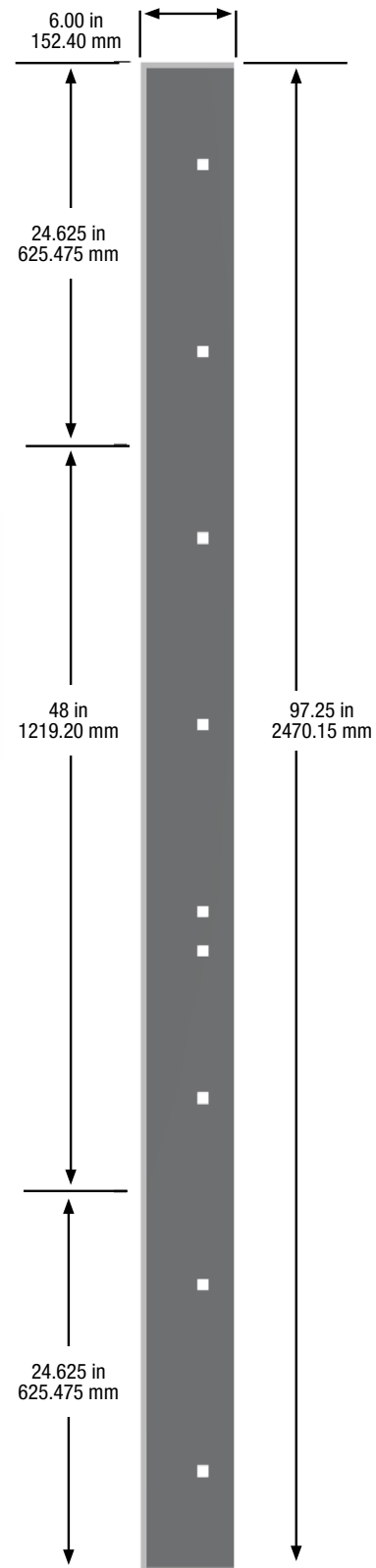
**525.49 mm**  
Part Number: SC225328-03 L



**1219.20 mm**  
Part Number: SC225328-03 Center



**525.49 mm**  
Part Number: SC225328-03 R

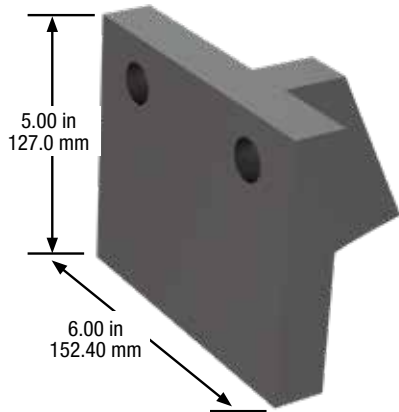


Proudly made in the U.S.A.

# Drum Discharge Paddles

## Base

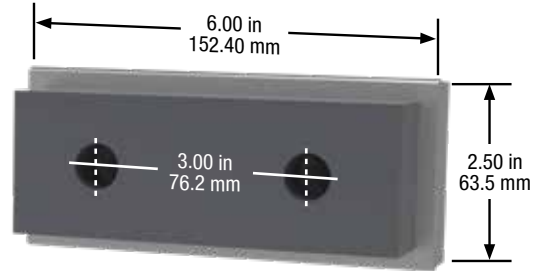
Part Number: XDPB3044



Length (in, mm)	Width (in, mm)	Center-to-Center (in, mm)
6.00 in 152.40 mm	5.00 in 127.0 mm	3.50 in 88.9 mm

## Paddle

Part Number: DP140214-03

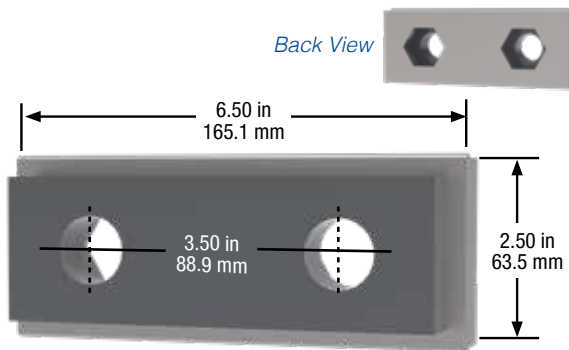


Note: Bolt holes are tapped 3/4" - 10 thread

Length (in, mm)	Width (in, mm)	Center-to-Center (in, mm)
6.00 in 152.40 mm	2.50 in 63.5 mm	3.00 in 76.2 mm

## Paddle

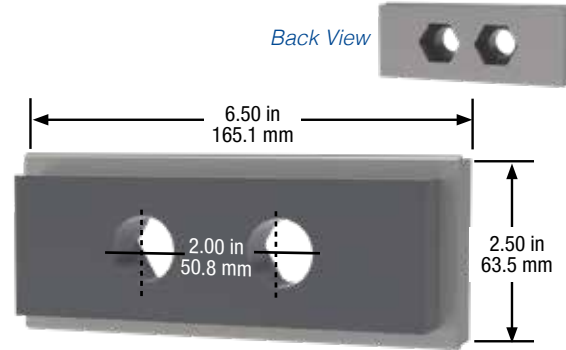
Part Number: DPWP6



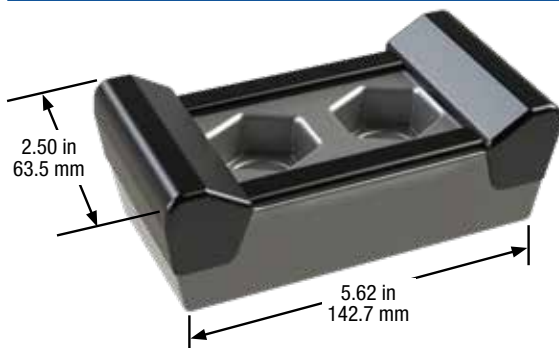
Length (in, mm)	Width (in, mm)	Center-to-Center (in, mm)
6.50 in 165.1 mm	2.50 in 63.5 mm	3.50 in 88.9 mm

## Paddle

Part Number: DP271131-03HD



Length (in, mm)	Width (in, mm)	Center-to-Center (in, mm)
6.50 in 165.1 mm	2.50 in 63.5 mm	2.00 in 50.8 mm



## Discharge Paddle

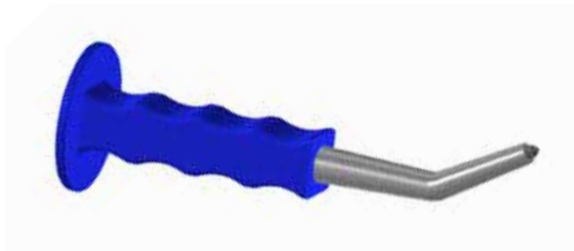
Part Number: DP271131-03

Length (in, mm)	Width (in, mm)	Center-to-Center (in, mm)
5.62 in 142.7 mm	2.50 in 63.5 mm	2.00 in 50.8 mm



Proudly made in the U.S.A.

# Accessories



**CURVED KNOCK OUT PUNCH** - Tool remover with carbide tip for extended life.

**Part Number**  
Product Code

A-CKP



**CURVED KNOCK OUT PUNCH** - Long radius tool remover with hardened tip.

**Part Number**  
Product Code

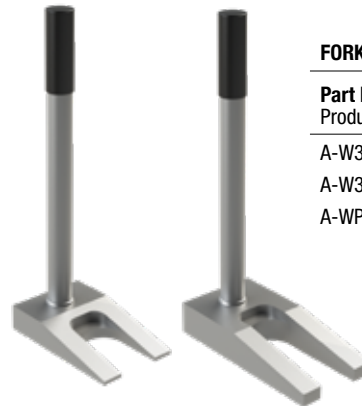
A-HP4



**FORKED PULLER**

**Part Number**  
Product Code

A-FP18 - For removal of tools with 18mm shank  
A-FP22 - For removal of tools with 19- 22mm shanks  
A-FP25 - For removal of tools with 25mm shank



**FORKED SLEEVE PULLER**

**Part Number**  
Product Code

A-W303F  
A-W303S  
A-WP102



**AIR HAMMER PUNCH** - 3/8" chuck. For removal of conical tools from blocks. Hardened tip provides long life. Fits air-hammer guns with 3/8-inch chucks.

**Part Number**  
Product Code

A-AH38



**AIR HAMMER PUNCH** - 1/2" chuck with hardened tip. For removal of conical tools from blocks. Fits light-duty and heavy-duty air-hammer guns with 1/2" chuck.

**Part Number**  
Product Code

A-AH12



**AIR HAMMER SMALL CUP** - 3/8" chuck for installation of conical tools into blocks. Fits air hammers with 3/8" chuck.

**Part Number**  
Product Code

A-0015



**AIR HAMMER PUNCH** - Long radius, 3/8" chuck. For removal of conical tools from blocks. Hardened tip provides long life. Fits air-hammer guns with 3/8-inch chucks.

**Part Number**  
Product Code

A-AH438



**AIR HAMMER PUNCH** - Long radius, 1/2" chuck. For removal of conical tools from blocks. Fits light-duty and heavy-duty air-hammer guns with 1/2" chuck.

**Part Number**  
Product Code

A-AH412



**AIR HAMMER LARGE CUP** - 3/8" chuck for installation of conical tools into blocks. Fits air hammers with 3/8" chuck.

**Part Number**  
Product Code

A-0015L



Proudly made in the U.S.A.



## Air Tool Accessories



## Whip Hoses

Part Number	Description
WH5-3/8	5' Whip Hose - 3/8" NPT Swivel End, rated 250 PSI
WH5-7/8	5' Whip Hose - 7/8" x 24" Thread/In Swivel End, rated 250 PSI
WH5-1/2	5' Whip Hose - 1/2" ID, 1/2" Bent Swivel, rated 250 PSI
WH10-3/8	10' Whip Hose - 3/8" NPT Thread/In Swivel End, rated 250 PSI
WH10-1/2	10' Whip Hose - 1/2" NPT Swivel End, rated 250 PSI
WH10-7/8	10' Whip Hose - 7/8" X 24" Thread/In Swivel End, rated 250 PSI
AH50	50' Air Hose - 3/4" Hose w/Universal Fittings, rated 300 PSI

## Whip Hoses with Oilers

Part Number	Description
WH6-1/2OILS	Whip Hose 1/2" x 6' with 1/2" Swivel and Inline Oiler
WH6-3/8OILS	Whip Hose 1/2" x 6' with 3/8" Swivel and Inline Oiler
WH6-7/8OILS	Whip Hose 1/2" x 6' with 7/8" Swivel and Inline Oiler
WH8-CPOILS	Whip Hose 3/4" x 8' with Universal Fittings and Inline Oiler



## Hydraulic Hoses

Part Number	Description
HYD6-3/8	Whip Hose 1/2" x 6' with 3/8" Swivel
HYD6-1/2	Whip Hose 1/2" x 6' with 1/2" Swivel
HYD6-7/8	Whip Hose 1/2" x 6' with 7/8" Swivel



## In-Line Oilers

Part Number	Description
0L	In-Line Oiler 1.4 Fluid Oz.
1L	In-Line Oiler 3.7 Fluid Oz.
2L	In-Line Oiler 11.0 Fluid Oz.
3L	In-Line Oiler 16.0 Fluid Oz.
430101VOJ	L0-15 Clearview In-Line Oiler 6.0 Fluid Oz.





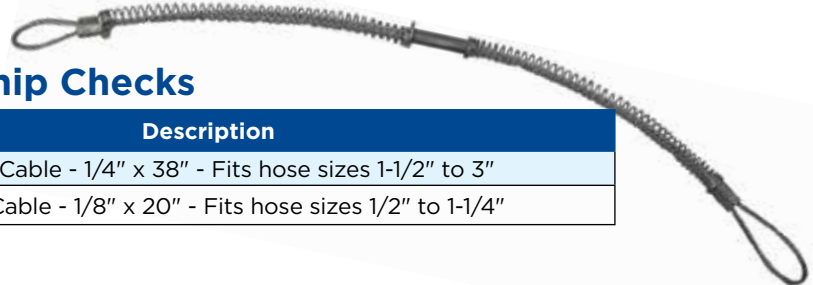
### .401 Shank Light Duty Hammer

Our .401 shank hammer has a lightweight aluminum handle for light chipping, casting and foundry work. Spring style retainer included. Optional deluxe quick change retainer available.

TAM-401	
Bore	0.75"
Stroke	2-5/8"
Impact Rate	3500 BPM
Length	6-3/4"
Weight	3.5 lbs.
Air Inlet Thread	1/4"
Rec'd Hose Size	3/8"
Avg. Air Consumption	4 CFM

### Whip Checks

Part Number	Description
WA2	Safety Cable - 1/4" x 38" - Fits hose sizes 1-1/2" to 3"
WB1	Safety Cable - 1/8" x 20" - Fits hose sizes 1/2" to 1-1/4"



### Impact Wrenches

TAMCO offers industrial grade, American made Impact Wrenches!

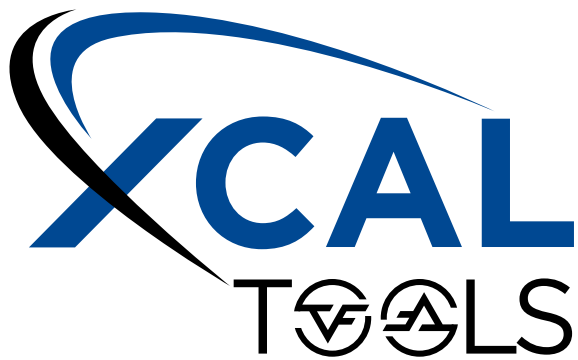
Our 3/4" and 1" Impact Wrenches offer a stainless steel hammer case and twin hammer design for increased durability. These are one of the industry's highest power-to-weight ratios. 100% made in the U.S.A. with non-corrosive materials, constructed to last in the field.



	7506SS	7508SS	IW1DI	IW15DI
Square Drive	3/4" SQ Dual Retainer	1" SQ Dual Retainer	1"	1-1/2"
Max Torque (Forward)	1800 ft./lbs.	1800 ft./lbs.	2000 ft./lbs.	3000 ft./lbs.
Max Torque (Reverse)	2000 ft.-lbs.	2000 ft.-lbs.	N/A	N/A
Free Speed	4600 RPM	4600 RPM	-	-
Length	9"	9"	12-13/32"	14-1/2"
Weight	13.5 lbs.	13.5 lbs.	22 lbs.	33 lbs.
Air Inlet Thread	3/8"	3/8"	1/2"	1/2"
Rec'd Hose Size	1/2"	1/2"	1/2"	1/2"
Avg. Air Consumption	58 CFM	58 CFM	58 CFM	70 CFM







15020 INDUSTRIAL PARK ROAD  
BRISTOL, VA USA  
(276) 644-3520

[www.xcaltools.com](http://www.xcaltools.com)

