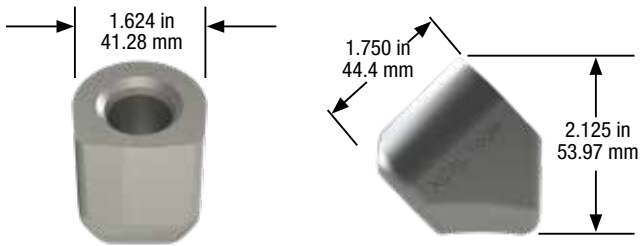


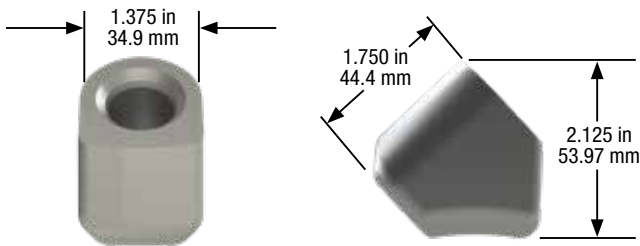
Blocks



B19H45

B19H45 - Heavy Duty

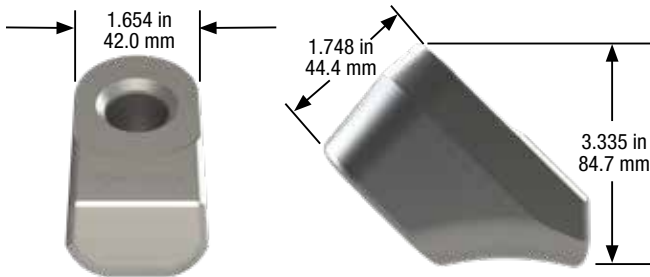
Bore Hole Diameter (in, mm)	Width (in, mm)	Angle (degrees)	Internal Groove	Pieces per Box	Pieces per Pallet
0.782 in 19.87 mm	1.624 in 41.28 mm	45°	Yes	35	2100



B19L45

B19L45 - Standard Duty

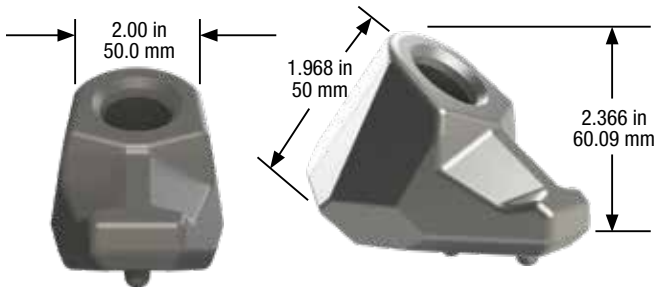
Bore Hole Diameter (in, mm)	Width (in, mm)	Angle (degrees)	Internal Groove	Pieces per Box	Pieces per Pallet
0.782 in 19.87 mm	1.375 in 34.9 mm	45°	Yes	35	2100



B19HT45

B19HT45 - Heavy Duty Tall

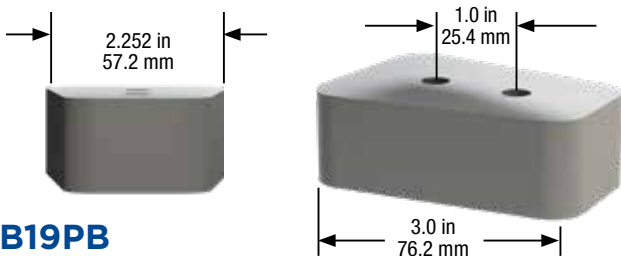
Bore Hole Diameter (in, mm)	Width (in, mm)	Angle (degrees)	Internal Groove	Pieces per Box	Pieces per Pallet
1.050 in 26.67 mm	1.654 in 42.0 mm	45°	Yes	15	900



B19P50

B19P50 - V design with locator pins

Bore Hole Diameter (in, mm)	Width (in, mm)	Angle (degrees)	Internal Groove	Pieces per Box	Pieces per Pallet
.783 in 19.89 mm	2.00 in 50.8 mm	50°	NA	15	900



B19PB

B19PB - Base for B19P50

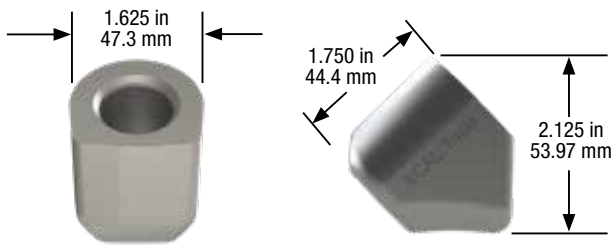
Bore Hole Diameter (in, mm)	Width (in, mm)	Angle (degrees)	Internal Groove	Pieces per Box	Pieces per Pallet
NA	2.252 in 57.2 mm	NA	NA	15	900



Proudly made in the U.S.A.



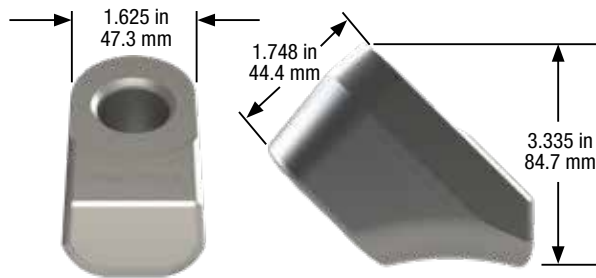
Blocks



B22H45

B22H45 - Heavy Duty

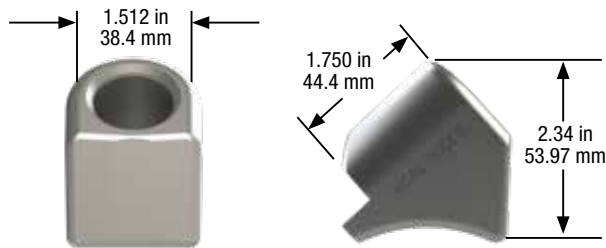
Bore Hole Diameter (in, mm)	Width (in, mm)	Angle (degrees)	Internal Groove	Pieces per Box	Pieces per Pallet
0.885 in 22.48 mm	1.625 in 47.3 mm	45°	Yes	35	2100



B22HT45

B22HT45 - Heavy Duty Tall

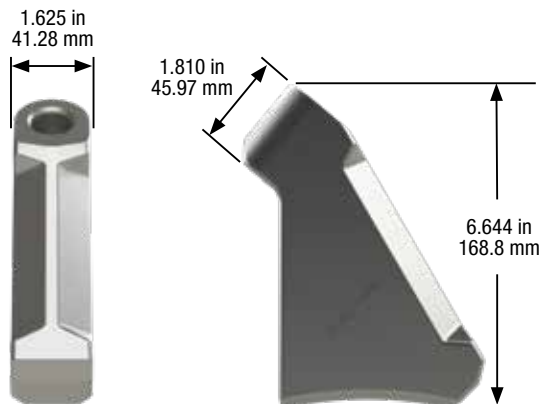
Bore Hole Diameter (in, mm)	Width (in, mm)	Angle (degrees)	Internal Groove	Pieces per Box	Pieces per Pallet
0.885 in 22.48 mm	1.625 in 47.3 mm	45°	Yes	15	900



B22NR45

B22NR45 - Standard, Non-Rotating

Bore Hole Diameter (in, mm)	Width (in, mm)	Angle (degrees)	Internal Groove	Pieces per Box	Pieces per Pallet
0.885 in 22.48 mm	1.512 in 38.4 mm	45°	Yes	35	2100



B22PT45

B22PT45 - Planer/Reclaimer Tall

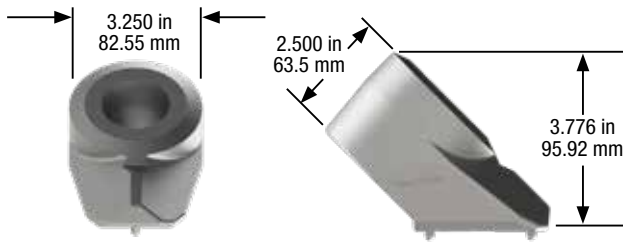
Bore Hole Diameter (in, mm)	Width (in, mm)	Angle (degrees)	Internal Groove	Pieces per Box	Pieces per Pallet
.885 in 22.48 mm	1.625 in 41.28 mm	50°	Yes	6	360



Proudly made in the U.S.A.



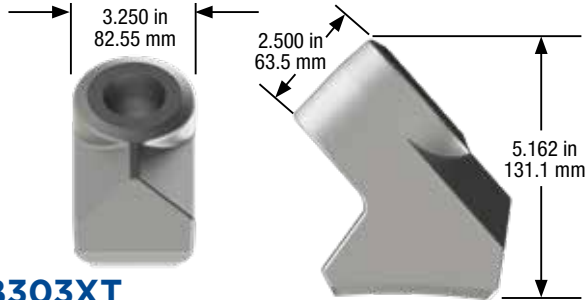
Blocks/Sleeves



B303X

B303X - Large Quick Change Block

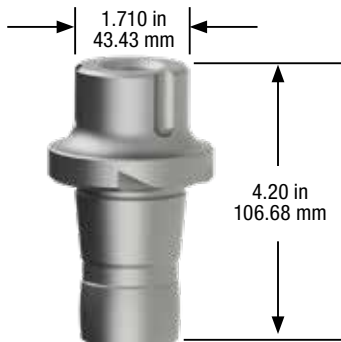
Bore Hole Diameter (in, mm)	Width (in, mm)	Angle (degrees)	Internal Groove	Pieces per Box	Pieces per Pallet
1.510 in 38.35 mm	3.250 in 82.55 mm	50°	NA	6	360



B303XT

B303XT - Large Tall Quick Change Block

Bore Hole Diameter (in, mm)	Width (in, mm)	Angle (degrees)	Internal Groove	Pieces per Box	Pieces per Pallet
1.510 in 38.35 mm	3.250 in 82.55 mm	50°	NA	2	120



S303X

S303X - Sleeve

Bore Hole Diameter (in, mm)	Width (in, mm)	Angle (degrees)	Internal Groove	Pieces per Box	Pieces per Pallet
0.783 in 19.89 mm	2.5 in 63.5 mm	NA	NA	10	600



S303R

S303R - Sleeve

Bore Hole Diameter (in, mm)	Width (in, mm)	Angle (degrees)	Internal Groove	Pieces per Box	Pieces per Pallet
0.783 in 19.89 mm	2.50 in 63.5 mm	NA	NA	10	600



S303R-87

S303R-87 - Sleeve

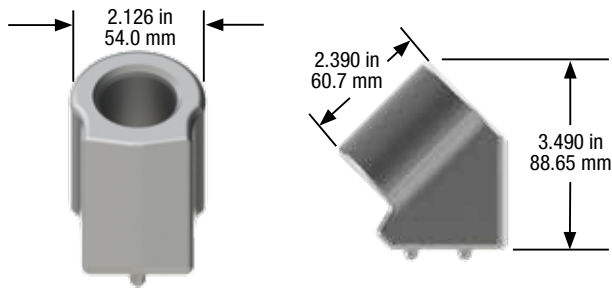
Bore Hole Diameter (in, mm)	Width (in, mm)	Angle (degrees)	Internal Groove	Pieces per Box	Pieces per Pallet
0.879 in 22.32 mm	2.50 in 63.5 mm	NA	NA	10	600



Proudly made in the U.S.A.



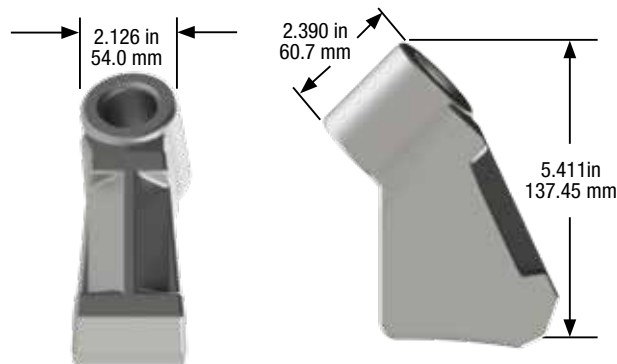
Blocks/Sleeves



B102P45 - Small Quick Change Block

Bore Hole Diameter (in, mm)	Width (in, mm)	Angle (degrees)	Internal Groove	Pieces per Box	Pieces per Pallet
1.181 in 30.0 mm	2.126 in 54.0 mm	45°	NA	10	600

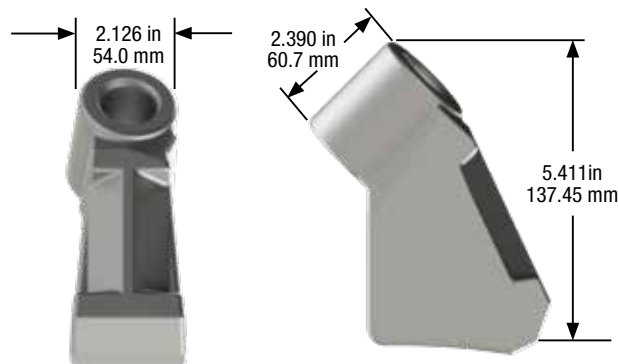
B102P45



B102PTVR45 - Small Tall Quick Change Block, Right

Bore Hole Diameter (in, mm)	Width (in, mm)	Angle (degrees)	Internal Groove	Pieces per Box	Pieces per Pallet
1.181 in 30.0 mm	2.126 in 54.0 mm	45°	NA	4	240

B102PTVR45



B102PTVL45 - Small Tall Quick Change Block, Left

Bore Hole Diameter (in, mm)	Width (in, mm)	Angle (degrees)	Internal Groove	Pieces per Box	Pieces per Pallet
1.181 in 30.0 mm	2.126 in 54.0 mm	45°	NA	4	240

B102PTVL45



S102 - Sleeve

Bore Hole Diameter (in, mm)	Width (in, mm)	Angle (degrees)	Internal Groove	Pieces per Box	Pieces per Pallet
0.785 in 19.94 mm	1.874 in 47.59 mm	NA	NA	20	1200

S102



Proudly made in the U.S.A.

